



# AquaRecessed

Barrier Free, Fully Recessed, Wall Mounted Cuspidor

## SUGGESTED SPECIFICATIONS

Model A1804000-CUSP is a fully recessed, wall mounted, vandal resistant cuspidor made from 18 gage, 304 stainless steel with a brushed finish. Unit shall be activated by a surface mounted, brass chrome plated front push button using less than 5 pounds of force. Washdown outlet shall be brass, chrome plated and operates on a water pressure range of 20-105 psig. Unit shall adhere to ANSI A117.1 and Americans with Disabilities Act of 1990 frontal approach and protruding objects requirements and **Child ADA** parallel and frontal approach.

**Stainless Steel Model:**  
A1804000-CUSP



## STANDARD FEATURES

- Both Child and Adult ADA Compliant (when properly installed)
- 18 gage, 304 stainless steel cabinet
- 16 gage, galvanized mounting frame
- Polished chrome plated brass, washdown outlet
- 100 mesh inlet strainer
- Vandal resistant screws



Member of  
U.S. Green  
Building  
Council



Recyclable  
Product



Water  
Conserving  
Product

## OPTIONAL ACCESSORIES (additional costs)

- HP High polished stainless steel  
Custom color finishes available upon request

Acorn Aqua™ assumes no responsibility for use of void or suspended data. © Copyright 2009 Acorn Aqua™, City of Industry, CA, A Division of Acorn Engineering Company. Please visit [www.acornaqua.com](http://www.acornaqua.com) for most current specifications.

Submittal # **A1804000-CUSP**  
[Sec. B] Rev. A 8/1/09

COMPLIES WITH  
**STANDARDS**



Member of Acorn  
Family of Companies

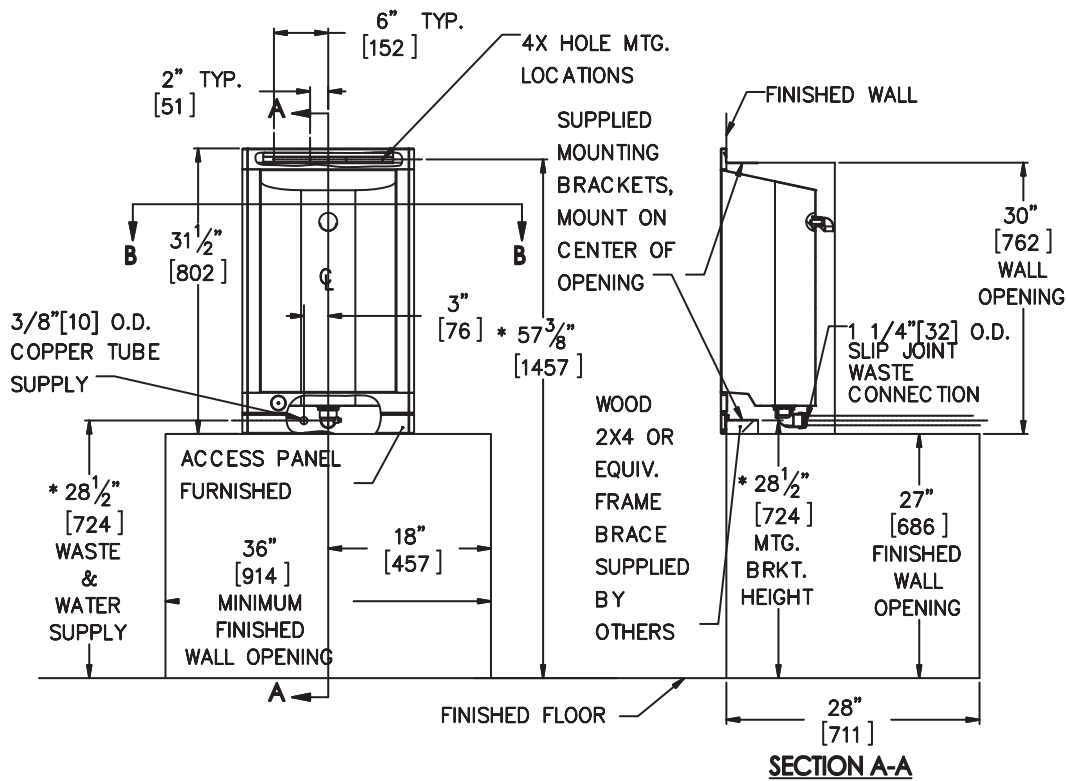
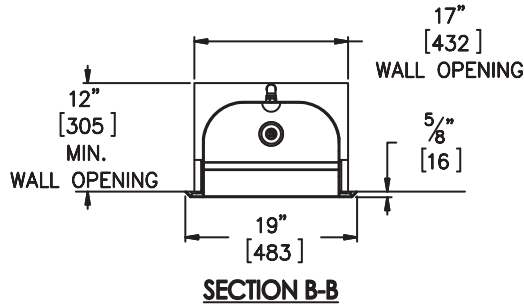
ACORN AQUA  
15125 Proctor Avenue  
City of Industry, CA  
91746 U.S.A.  
Phone 800-591-9360  
626-336-4561  
Fax 626-855-4894  
[www.acornaqua.com](http://www.acornaqua.com)



# TECHNICAL DIMENSIONS

All dimensions are nominal and subject to manufacturer's change without notice. Acorn Aqua™ assumes no responsibility for use of void or suspended data. © 2009 Acorn Aqua™, a Division of Acorn Engineering Company. Please visit [www.acornaqua.com](http://www.acornaqua.com) for most current specifications.

**Stainless Steel Model:**  
A1804000-CUSP



**GENERAL NOTES:**

1. ALL DIMENSIONS ARE IN INCHES [MM].
- \*2. DIMENSIONS SHOWN ARE FOR RECOMMENDED ADULT HEIGHT. ADJUST VERTICAL DIMENSIONS AS NECESSARY TO COMPLY WITH FEDERAL, STATE & LOCAL CODES.
3. STOP VALVE NOT PROVIDED.

**AquaRecessed** Barrier Free, Fully Recessed, Wall Mounted Cuspidor

Rough-in # **A1804000-CUSP** Rev. A 8/1/09

*Five Year Limited Warranty- (Continental United States and Canada Only) The following components are warranted for five years: Compressor, Condenser Coil and Refrigeration Coil. The following components shall only be warranted for a period of one year: Evaporator Can Assembly, Thermostat, Fan Motor, Cartridge, Push Buttons, Compressor Starting Relay/Overload/Capacitor and Activation Linkage. Other parts are warranted for one (1) year from date of installation.*  
*Limited Export Warranty- One (1) year on parts only.*

SELECTION SUMMARY & APPROVAL FOR MANUFACTURING

Company \_\_\_\_\_

Model Number & Options \_\_\_\_\_ Quantity \_\_\_\_\_

Contact \_\_\_\_\_ Title \_\_\_\_\_

Signature (Approval for Manufacturing) \_\_\_\_\_ Date \_\_\_\_\_



**800-591-9360**  
626-336-4561  
[www.acornaqua.com](http://www.acornaqua.com)