



2100 SOUTH CLEARWATER DRIVE
DES PLAINES, ILLINOIS 60018-5999

FITTING NO.

937-CHLESS216-28

SUBMITTED MODEL NO.

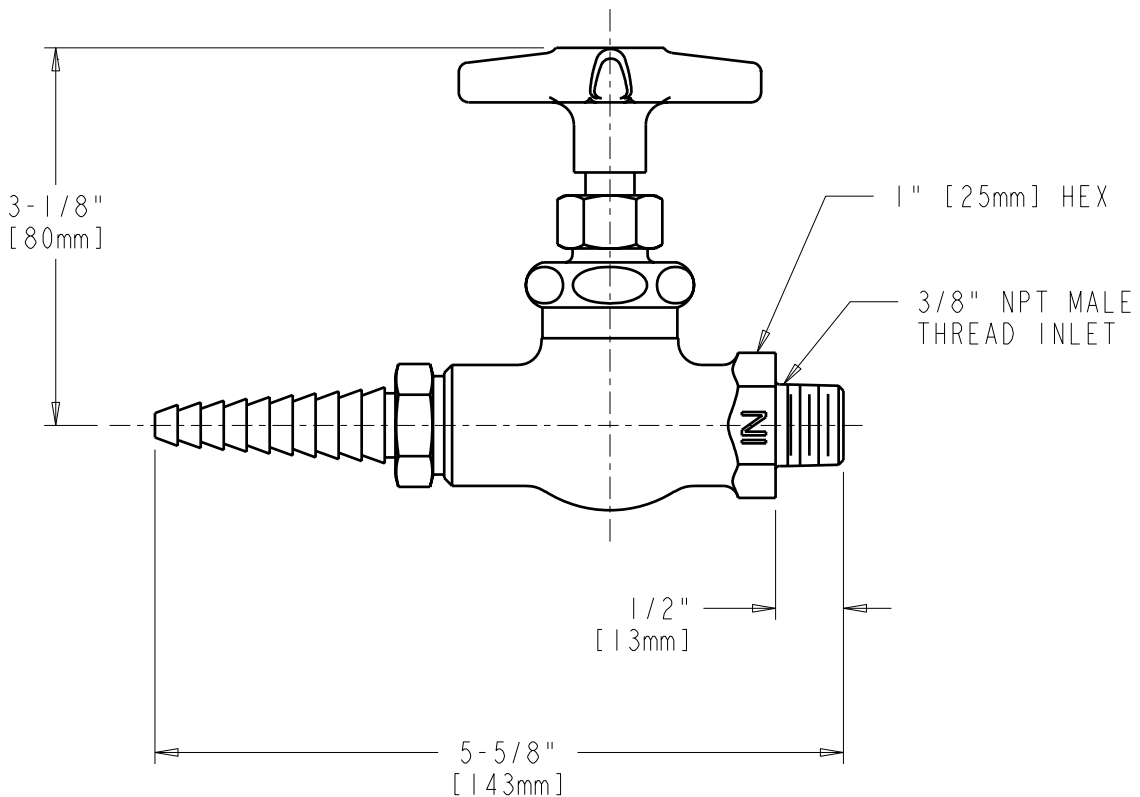
JOB NAME

ITEM NO.

SUBMITTED AS SHOWN

SUBMITTED AS NOTED

SEE ATTACHED FOR
SUBMITTED MODIFICATION



TECHNICAL DATA

- NEEDLE VALVE
- 204 INDEXED 4-ARM HANDLE
- MAY BE USED WITH MOST LABORATORY GASES
- FINISH: CHROME PLATE

- E7 REMOVABLE SERRATED HOSE NOZZLE
- 150 PSI MAXIMUM OPERATING PRESSURE

DATE: 5-23-02

BY: JAR

CHK'D:

APP'D:

REV: A

937-CHLESS216-28

ROUGHING IN DIMENSIONS MAY VARY AND ARE SUBJECT TO CHANGE. NO RESPONSIBILITY IS ASSUMED FOR USE OF SUPERCEDED OR VOIDED DATA.