

Z6930-XL

AquaSense Battery Powered Faucet



Engineering Specification

ADA compliant, battery-powered, chrome-plated sensor faucet for retrofit and new construction.

- Flow Rate
1.5 gpm Vandal-Resistant Aerator
- Occupant Detection
Infrared convergence-type proximity sensor
Thirty Second Time-out feature
- Spout module
Chrome-Plated Cast Brass
- Also Includes
In-line filter
4 "AA" batteries
Inlet for a 1/2"[13] ball riser

* Option not compliant for -XL faucets

Flow Control Options

- F 0.5 gpm/1.9 Lpm Vandal-Resistant Non-Aerated
- J 1.5 gpm/ 5.7 Lpm Vandal-Resistant Laminar Flow
- K 1.0 gpm/ 3.8 Lpm Vandal-Resistant Laminar Flow
- L 1.0 gpm/ 3.8 Lpm Vandal-Resistant Aerator
- M 0.35 gpm/1.3 Lpm Vandal-Resistant Non-Aerated

Power Supply Choices (Sold Separately)

- ACA 6 VDC Plug-In Power Converter
- HW6 Hardwired Power Converter

Optional Power Supply Accessories

- CWB Connector Wire for Hardwire Install
- MJ Mini Junction Box

NOTE: For Hardwire applications furnish P6000-HW6 power converter. Order P6000-HW6 power converter separately. The P6000-HW6 and P6000-MJ will power up to 8 sensor faucets.

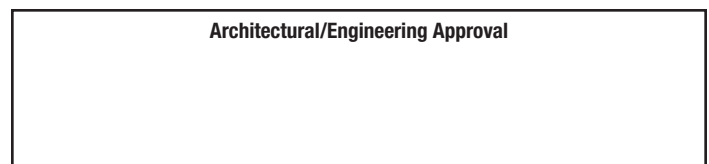
Accessories

- 10S 10 sec. Time-out
[0.17 Gallons per cycle with 1.0gpm aerator]
- 60S 60 sec. Time-out
- ADM Above Deck Mixer *
- ADM-1 Above Deck Mixer with 4" Cover Plate*
- ADM-2 Above Deck Mixer with 8" Cover Plate *
- CP4 Cover Plate 4" [102] Centers
- CP8 Cover Plate 8" [203] Centers
- DSA Drug Screening Applications
(Hardwired Applications)
- H4 Wrist Blade Handle for ADM*
- LP Line Purge 2 min/24 hr
- MT Mixing Tee*
- MV Temperature Mixing Valve
- SH Supply Hoses for Mixing Valve
- TMV Thermostatic Mixing Valve for
Multiple Faucets
- TMV-1 Thermostatic Mixing Valve for
Single Faucets
- XT No Time-out
- _____ Other

The information contained in this document is subject to change without notice.
Please contact Zurn for most up to date information.

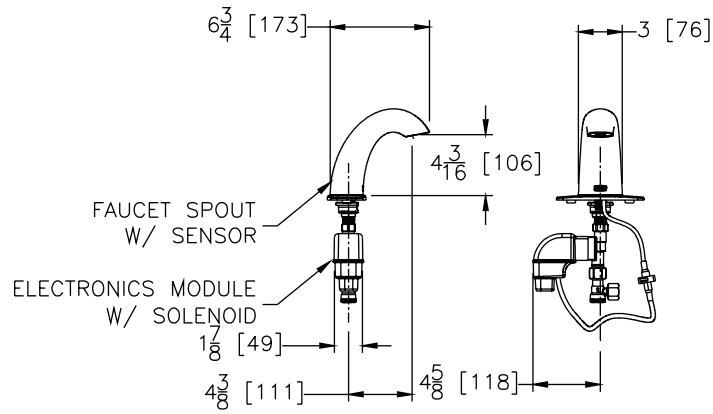
ZURN INDUSTRIES, LLC. ♦ COMMERCIAL BRASS OPERATION
5900 ELWIN BUCHANAN DRIVE ♦ SANFORD NC 27330
Phone: 1-800-997-3876 ♦ Fax: 919-775-3541
www.zurn.com
In Canada: ZURN INDUSTRIES LIMITED
3544 Nashua Drive ♦ Mississauga, Ontario L4V1L2
Phone: 905-405-8272 Fax: 905-405-1292

AquaSense® is a registered trademark of Zurn Industries, LLC.



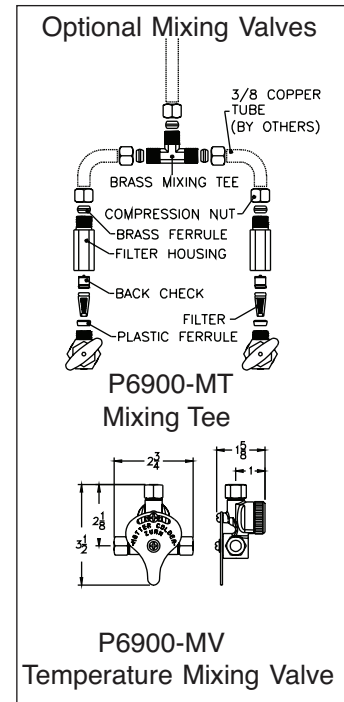
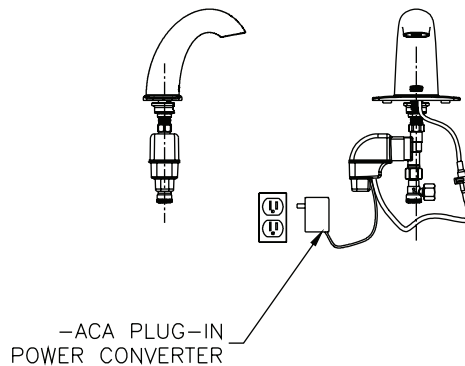
TYPICAL Z6930

AquaSense Battery
Powered Faucet



TYPICAL Z6930-ACA

AquaSense Plug-In
Powered Faucet



TYPICAL Z6930-CWB

AquaSense Hardwire
Powered Faucet

Optional:

* Optional -MJ mini junction box for connecting up to 8 faucets

NOTE: MUST USE EITHER ZURN P6000-HW6 HARDWIRE POWER CONVERTER OR ZURN P6000-ACA PLUG-IN POWER CONVERTER TO ENSURE PROPER OPERATION. USING A POWER CONVERTER OTHER THAN ZURN MAY RESULT IN OPERATION MALFUNCTION OR UNIT FAILURE.

