

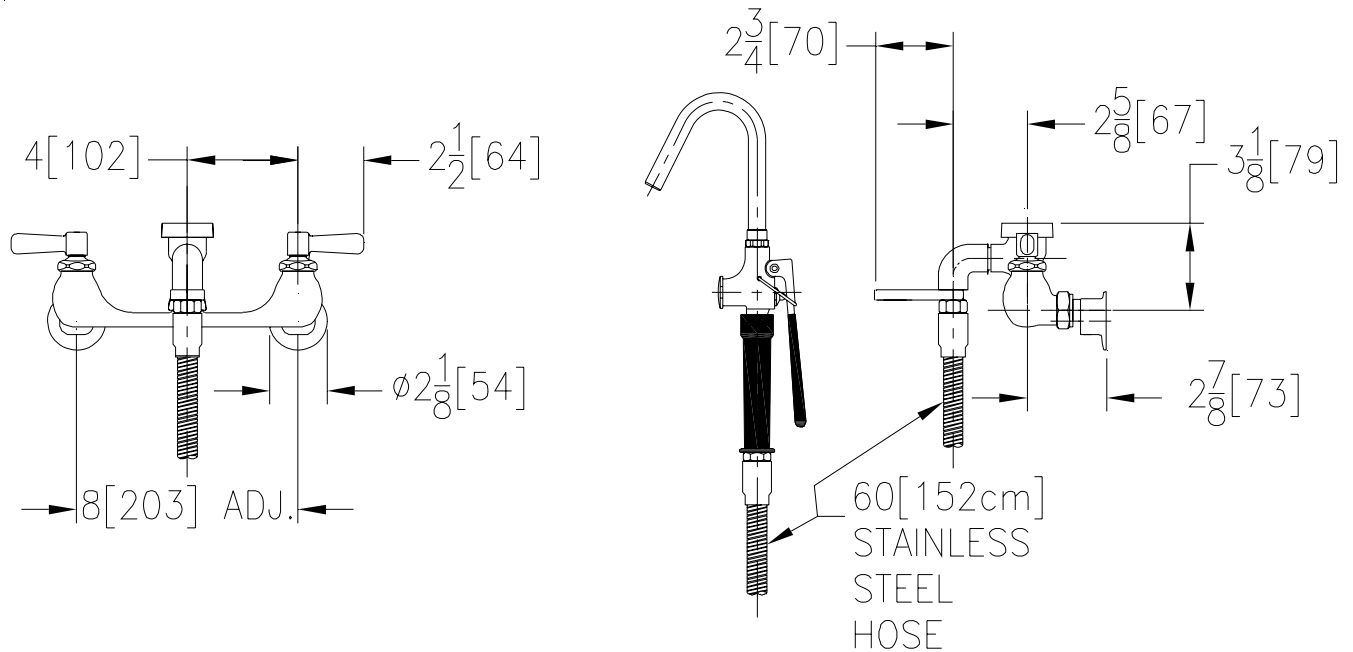


POT FILLER Z842P1-PF1

TAG _____

Engineering Specification: Zurn AquaSpec® Z842P1-PF1

Polished chrome-plated cast brass 8" [203mm] pot-filler faucet with quarter turn ceramic disc cartridges, 3/8" [10mm] short swivel inlets with check stops providing adjustable centers from 7-1/4" [184mm] to 8-3/4" [222mm] and 2-1/2" [64mm] vandal resistant color-coded metal lever handles. Unit is furnished with a self-closing hand held pot filler valve, an insulated handle, a stay open clip, a 60" [152cm] stainless steel hose and a hose hook.



Note: All dimensions are for reference only. Do not use for pre-plumbing

OPTIONAL ACCESSORIES

Suffix	Description
___-HCT	Hot/Cold Text Indexes
___-PF2	Continuous Flow Pot Filler W/out Self Closing Valve
___-WHK	Wall Hook

ZURN INDUSTRIES, INC. ♦ COMMERCIAL BRASS OPERATION ♦ 2640 SOUTH WORK STREET ♦ FALCONER NY 14733

Phone: 1-716-665-1132 ♦ Fax: 1-716-665-1135 ♦ World Wide Web: www.zurn.com

In Canada: ZURN INDUSTRIES LIMITED ♦ 3544 Nashua Drive ♦ Mississauga, Ontario L4V1L2 ♦ Phone: 905/405-8272 Fax: 905/405-1292