


Location:

SYMMONS® Safetymix®

Tub-Shower System & Hand Shower 1-50-FSB Specification Submittal

Feature Highlights

- Symmons Safetymix pressure balancing mixing valve with lever handle adjustable stop screw to limit handle turn.
- Lever diverter with volume control
- Wall/hand shower #FSB with flexible metal hose, inline vacuum breaker, wall connection and flange
- Tub spout
- 30 inch slide bar for mounting hand shower
- Hand shower's standard flow rate 2.5 gpm (9.5 L/min)
Optional lower flow rate restrictor available 
- Polished chrome finish

Model Numbers

- 1-50-FSB Symmons Tub-Shower System with #FSB Hand Shower and Safetymix pressure balancing mixing valve

Finish Options

Append appropriate -suffix to model number.

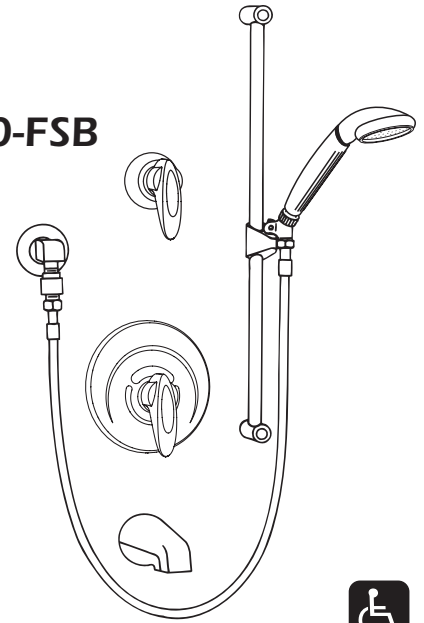
- Polished chrome finish (standard)

Standards / Certifications

ASME A112.18.1-2005/CSA B125.1-05



Warranty

- Limited Lifetime - to the original end purchaser in residential/consumer installations.
- 5 years - for commercial installations



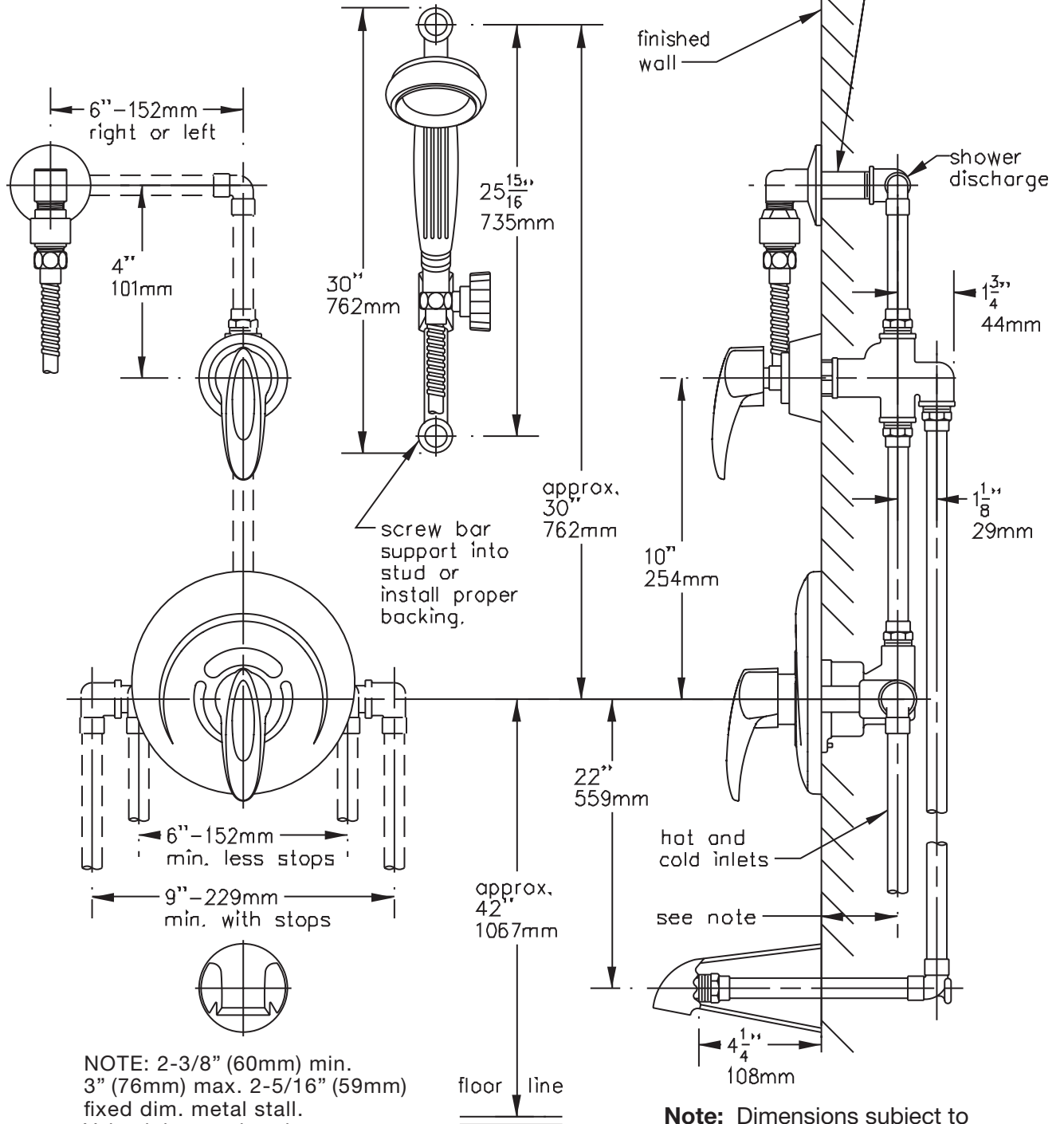
Options / Modifications

Append appropriate -suffix to model number.

- X Symmons Safetymix pressure balancing mixing valve includes integral service stops to allow water shut-off for service
- X-3/4 3/4" valve to increase flow approximately 20%
- X-REV Reverse coring, hot on right, cold on left, for back to back installations with integral stops only.
- X-CHKS Integral check stops for use in installations where a positive shut-off device is used downstream of mixing valve
-  -2.0 2.0 gpm (7.6 L/min) flow rate restrictor (Requires substituting FSB hand shower wand with EF-100 wand)
-  -1.5 1.5 gpm (5.7 L/min) flow rate restrictor (Requires substituting FSB hand shower wand with EF-100 wand)
- 6 6 foot hand shower hose in place of standard 5 foot hose
- R Vinyl hose in place of flexible metal hose
- QD Quick disconnect on hand shower

Dimensions *Safetymix Tub-Shower System with Hand Shower, 50-FSB*

Male 1/2" I.P.S. thread must protrude 3/8" (10mm) from finished wall for proper installation of street ell and flange.



NOTE: 2-3/8" (60mm) min.
3" (76mm) max. 2-5/16" (59mm)
fixed dim. metal stall.
Valve inlets and outlets are
1/2" (13mm) IPS connections.

Note: Dimensions subject to change without notice.

Symmons Industries, Inc. ■ 31 Brooks Drive ■ Braintree, MA 02184
(800) 796-6667, (781) 848-2250 ■ Fax (800) 961-9621, (781) 664-1300
Website: www.symmons.com ■ Email: customerservice@symmons.com

©2010 Symmons Industries, Inc. Printed in U.S.A. ■ 082510

