



**T&S BRASS AND BRONZE WORKS, INC.**

2 Saddleback Cove / P.O. Box 1088  
Travelers Rest, SC 29690



REG. #A2601  
ISO #9001

Model No.  
**BL-4203 SERIES**

Item No.

Travelers Rest, SC: 800-476-4103 Simi Valley, CA: 800-423-0150 Fax: 864-834-3518 www.tsbrass.com

This Space for Architect/Engineer Approval

Job Name \_\_\_\_\_ Date \_\_\_\_\_

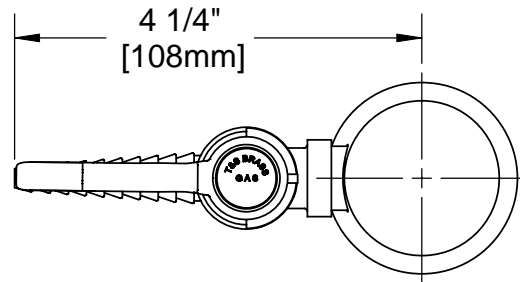
Model Specified \_\_\_\_\_ Quantity \_\_\_\_\_

Customer/Wholesaler \_\_\_\_\_

Contractor \_\_\_\_\_

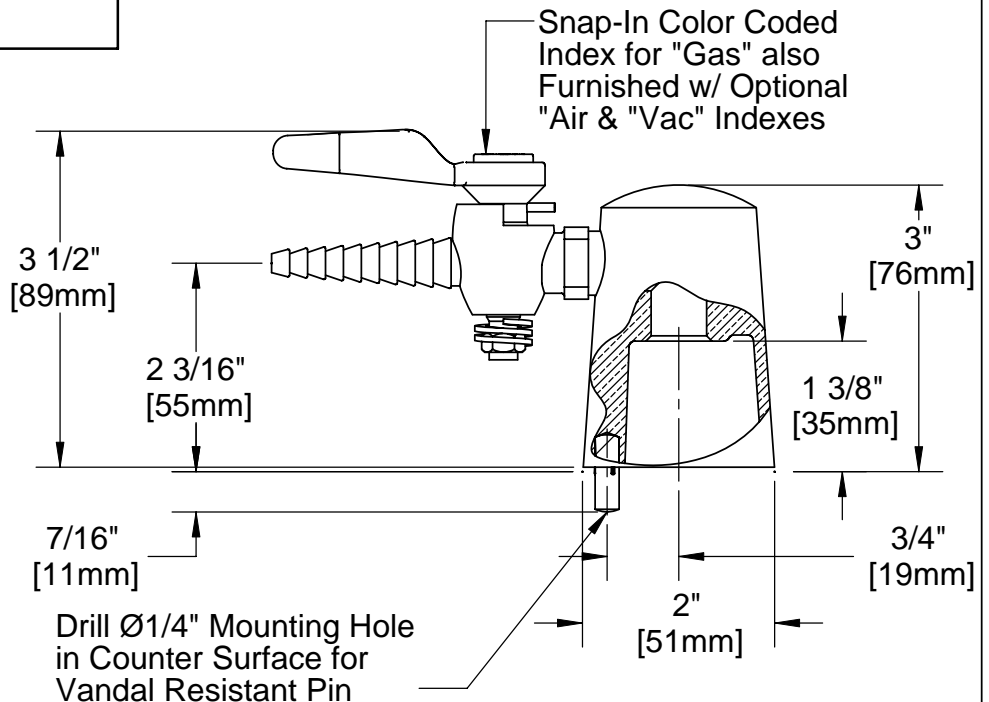
Architect/Engineer \_\_\_\_\_

BL-4203-0	Turret w/ (2) Hose Cocks @ 90°
BL-4203-01	Turret w/ (1) Hose Cock
BL-4203-02	Turret w/ (2) Hose Cocks @ 180°
BL-4203-03	Turret w/ (3) Hose Cocks @ 90°
BL-4203-04	Turret w/ (4) Hose Cocks @ 90°



Use BL-4010-01 Gas Cock for Oxygen or for Pressures above 0.5 PSIG

**BL-4203-01 SHOWN**



Product Specifications:

**Laboratory Turret w/ Serrated Hose Cock & Vandal Resistant Pin**

Drawn ARH	Checked JRM	Approved JHB
Scale: 1:2		Date: 8/21/08



**T&S BRASS AND BRONZE WORKS, INC.**

2 Saddleback Cove / P.O. Box 1088  
Travelers Rest, SC 29690



REG. #A2601  
ISO #9001

Model No.  
**BL-4203 SERIES**

Item No.

Travelers Rest, SC: 800-476-4103 Simi Valley, CA: 800-423-0150 Fax: 864-834-3518 www.tsbrass.com

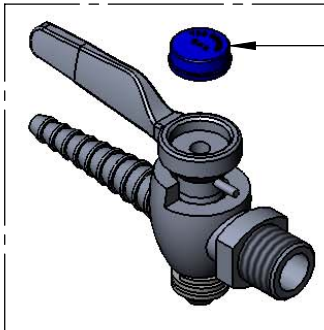
ITEM NO.	SALES NO.	DESCRIPTION
1	001203-45	Cap, Index, Orange, Air
2	001200-45	Cap, Index, Yellow, Vacuum
3	001197-45	Cap, Index, Blue, Gas
4	BL-4000-01	Ground Key Hose Cock w/ Blue Gas Cap Index
5	144L	Gasket Polypropylene



① For Air Application

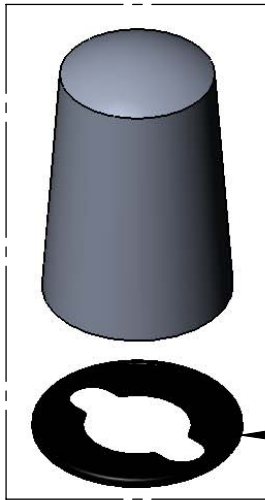


② For Vacuum Application



③ For Gas Application

④



Turret Sold Separately  
w/ Gasket as BL-4102-XX.  
-XX Suffix References the  
Number of Outlets and their  
Orientation per Turret. See  
Table on Page "1" for Suffix

⑤

Product Specifications:

Laboratory Turret w/ Serrated Hose Cock  
& Vandal Resistant Pin

Drawn  
ARH

Checked  
JRM

Approved  
JHB

Scale:

1:2

Date:

8/21/08