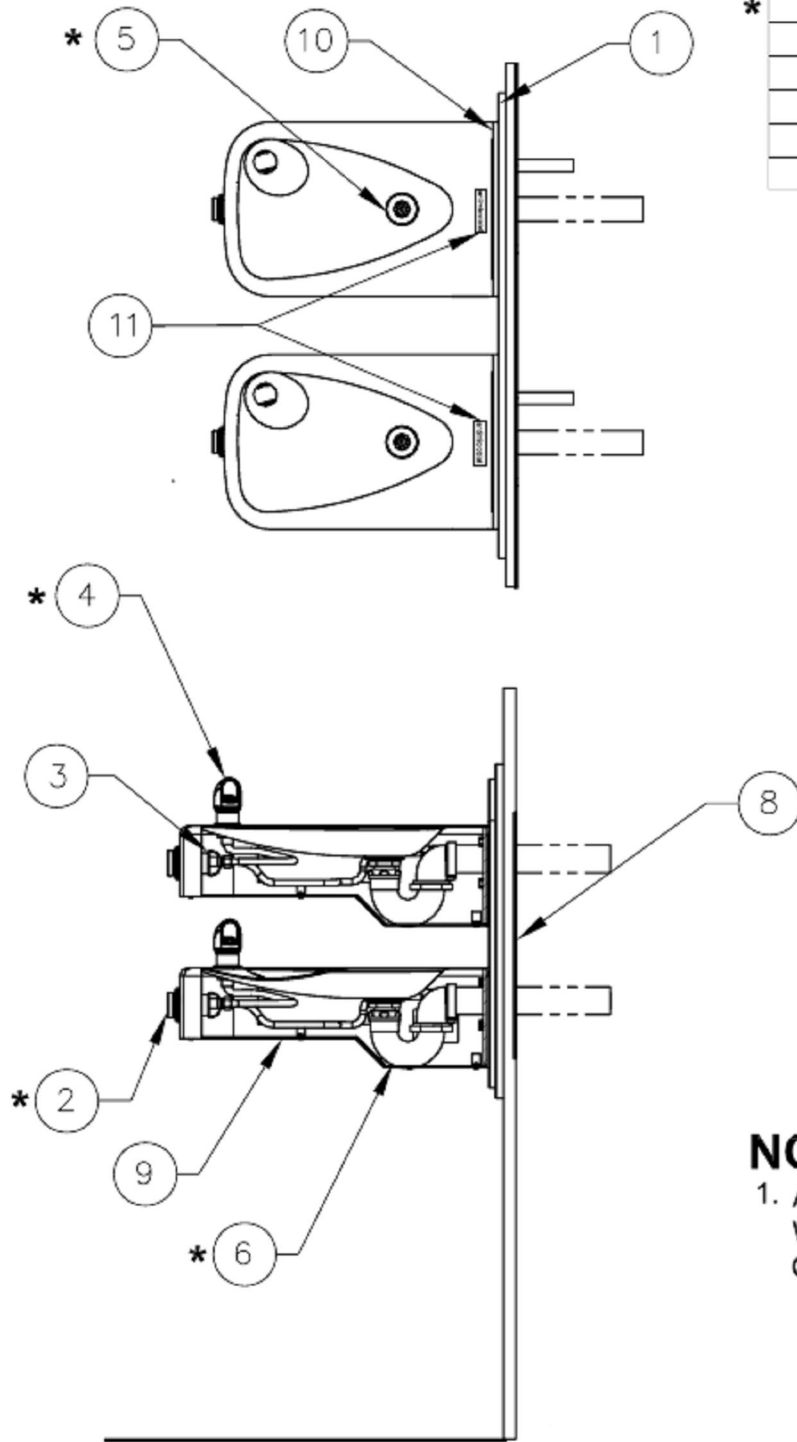


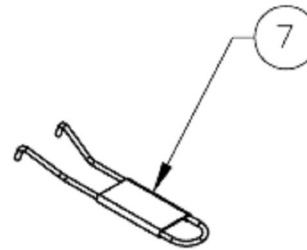
THIS DOCUMENT IS TRUE AND CORRECT AT TIME OF PUBLICATION. CONTINUED PRODUCT IMPROVEMENTS MAKE SPECIFICATIONS AND MEASUREMENTS SUBJECT TO CHANGE WITHOUT NOTICE.

PARTS BREAKDOWN



| ITEM | DESCRIPTION |
|------|---------------------------------|
| 1 | BACK PANEL P/N 0004023590 |
| * 2 | BUTTON ANTIMICROBIAL PBA6A |
| 3 | VALVE 5874 |
| * 4 | HEAD ANTIMICROBIAL 5703MA |
| * 5 | STRAINER ANTIMICROBIAL 6462A |
| * 6 | TRAP ANTIMICROBIAL 0005982901 |
| 7 | SPANNER WRENCH P/N 0006983506 |
| 8 | MOUNTING PLATE 6717 |
| 9 | BOTTOM PLATE P/N 0004449315 |
| 10 | SMALL BACK PANEL P/N 0004023587 |
| 11 | LABEL ANTIMICROBIAL 0003149795 |

Haws 1117L



NOTE:

1. ASTERISK (*) DENOTES PARTS WITH AN ANTIMICROBIAL COATING.

www.DrinkingFountainDoctor.com
1-800-518-5388