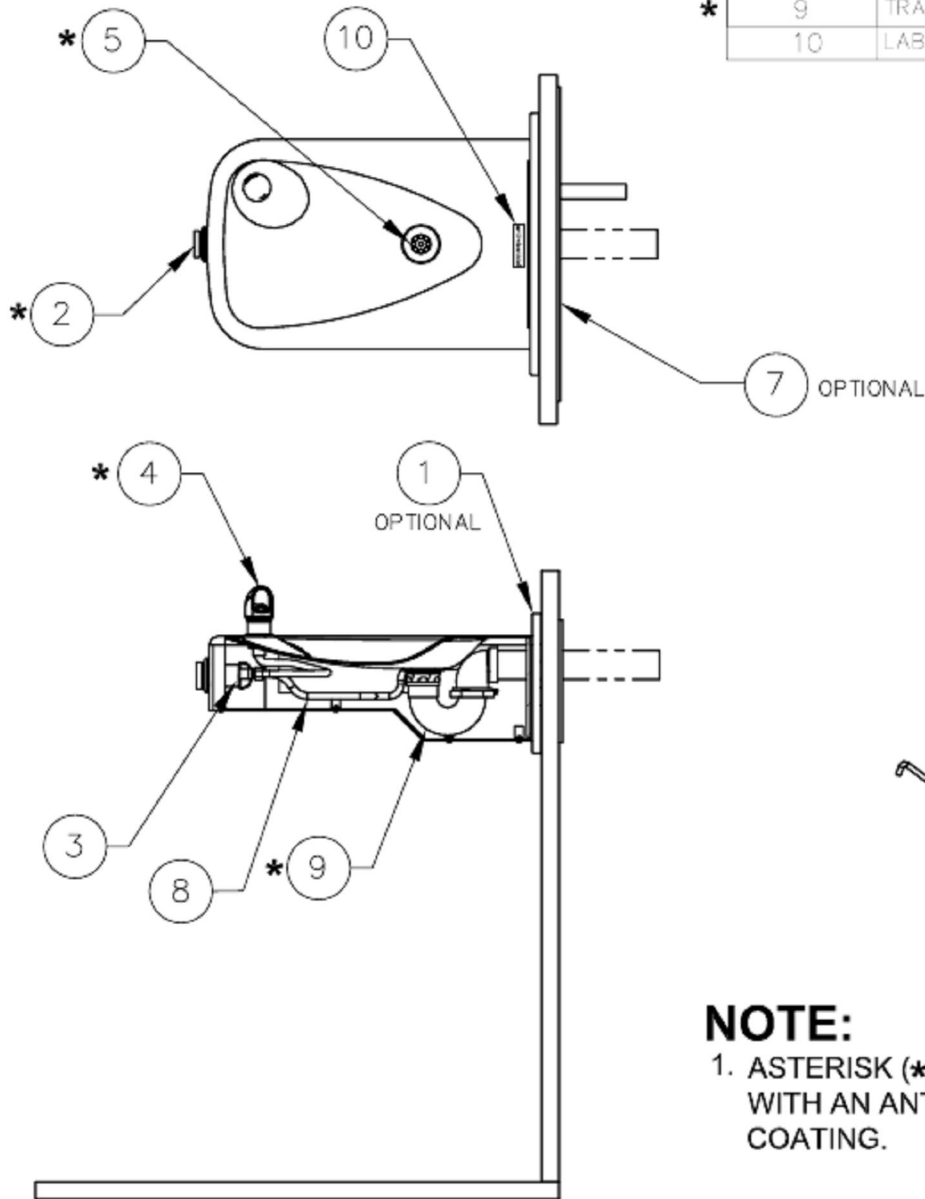


# PARTS BREAKDOWN

	ITEM	DESCRIPTION
OPTIONAL	1	BACK PANEL SMALL 0004023600
*	2	BUTTON ANTIMICROBIAL PBA6A
	3	VALVE 5874
*	4	HEAD ANTIMICROBIAL 5703MA
*	5	STRAINER ANTIMICROBIAL 6462A
	6	SPANNER WRENCH P/N 0006983506
OPTIONAL	7	MOUNTING PLATE 6700
	8	BOTTOM PLATE P/N 0004449315
*	9	TRAP ANTIMICROBIAL 0005982901
	10	LABEL ANTIMICROBIAL 0003149795

Haws 1107L



## NOTE:

1. ASTERISK (\*) DENOTES PARTS WITH AN ANTIMICROBIAL COATING.

[www.DrinkingFountainDoctor.com](http://www.DrinkingFountainDoctor.com)  
1-800-518-5388