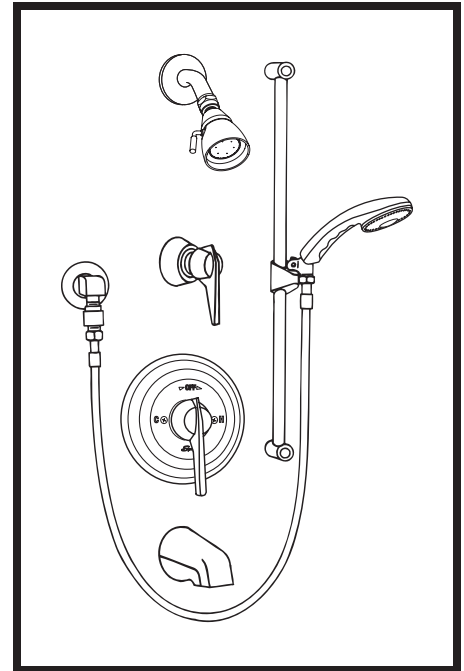


# C-96-600-B30-V Temptrol® Tub and Shower System with Hand Shower

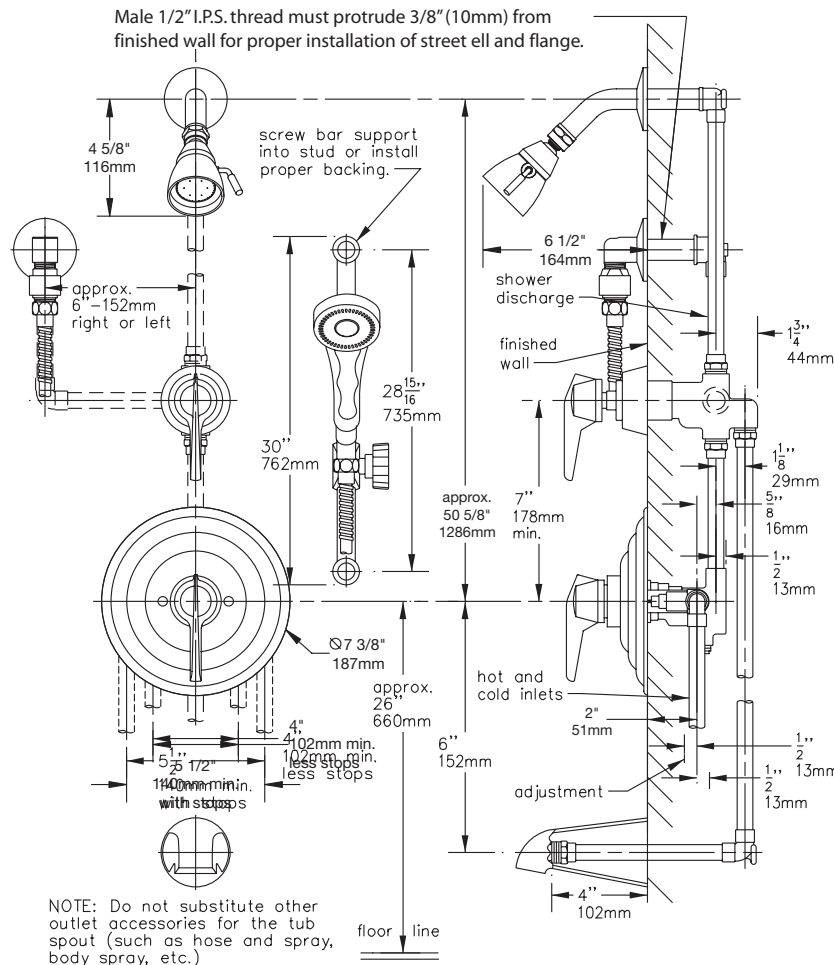
Temptrol Commercial Series Pressure-Balancing mixing valve with lever handle and adjustable stop screw to limit handle turn. Levertrol diverter with integral volume control. Cast brass adjustable spray shower head with arm and flange. Tub spout, wall/hand shower with flexible metal hose, in-line vacuum breaker, wall connection and flange. 30" slide bar for hand shower mounting.

## Modifications:

- Suffix X:** Integral service stops
- Suffix IPS:** 1/2" female IPS connections
- Suffix REV:** Reverse coring, hot on right, cold on left, for back to back installations
- Suffix QD:** Quick-disconnect for hand shower units
- Suffix B48:** 48" adjusting bar in place of standard 30" bar



**SYMMONS PRODUCTS MEET  
ANSI A112.18.1M, EPA '92  
AND ALL KNOWN FLOW RATE  
REQUIREMENTS.  
Shower Heads and Hand Showers  
2.5 GPM (9.5 L/min)**



**Job/Location**

.....  
.....

**Engineer**

.....  
.....

**Contractor**

.....  
.....

This drawing to be used for rough-in installation only. All floor to center dimensions optional. Concealed piping and fittings not furnished by manufacturer. For ADA compliance (Americans with Disabilities Act) consult ADAAG or your state regulations for proper product choice and mounting locations. For complete installation, adjustment and service information see installation instructions.

Symmons Industries, Inc. ■ 31 Brooks Drive ■ Braintree, MA 02184  
(800) 796-6667, (781) 848-2250 ■ Fax (800) 961-9621, (781) 843-3849  
Website: [www.symmons.com](http://www.symmons.com) ■ Email: [customerservice@symmons.com](mailto:customerservice@symmons.com)

