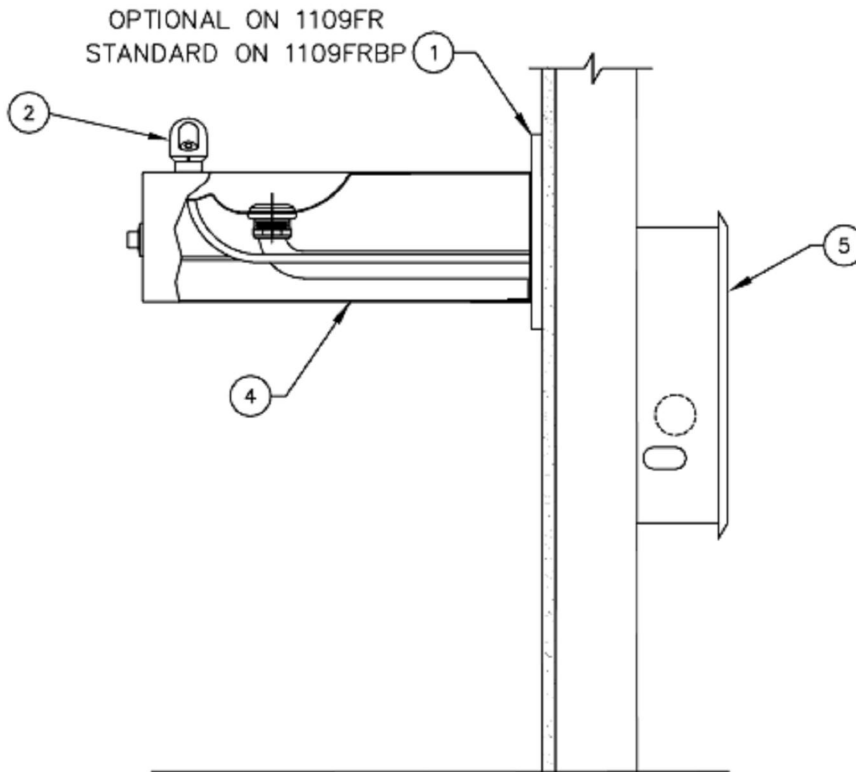
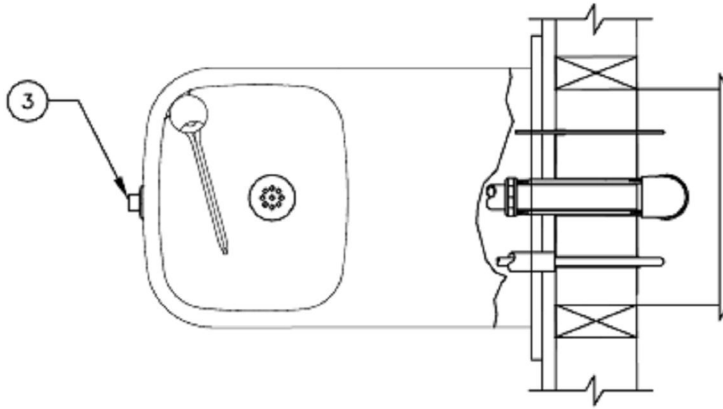


ITEM	DESCRIPTION
1	BACK PANEL BP3
2	BUBBLER HEAD 5703M
3	PUSH BTN ASS'Y 5881PBA
4	BOTTOM PLATE PBM1109
5	FREEZE RESISTANT BOX 6521FR

# PARTS BREAKDOWN

Haws 1109FRBP



[www.DrinkingFountainDoctor.com](http://www.DrinkingFountainDoctor.com)  
1-800-518-5388