

SENTINEL MARK II®

SM-2030

Anti-Scald Balanced Pressure Shower & Bath



GENERAL SPECIFICATION

Sentinel Mark II concealed anti-scald balanced pressure shower and bath. Chrome plated wall plate. Chrome plated brass lever handle. Independent center sleeve allows up to 1" of rough-in variation. Adjustable temperature limit stop. Brass body. Pressure balancing & ceramic temperature regulating cartridge with built-in check valves. Can be installed back-to-back. Roughing-in template. S-2270-AF Cosmopolitan® showerhead with flow control device reduces flow to 2.5 gpm/9.46 lpm maximum to meet existing ASME A112.18.1/CSA B125.1 standard. S-2500 shower arm and wall flange. S-1556 diverter tub spout. Four port valve with 1/2" female copper sweat inlets and shower outlet (tub outlet 1/2 NPT female). Meets ASSE 1016 & ASME 112.18.1/CSA B125.1 standards.

SM-2030

Anti-scald balanced pressure shower and bath.

OPTIONS

SUFFIX	DESCRIPTION
--------	-------------

- | | |
|------------------------------|---------------------------------------|
| <input type="checkbox"/> IS | Integral stops |
| <input type="checkbox"/> LH | Less showerhead |
| <input type="checkbox"/> 1 | S-2251-AF showerhead |
| <input type="checkbox"/> 2 | S-2252-AF showerhead |
| <input type="checkbox"/> 2VR | S-2252-AF vandal-resistant showerhead |
| <input type="checkbox"/> 3 | S-2253-AF showerhead |
| <input type="checkbox"/> 4 | S-2220-AF showerhead |
| <input type="checkbox"/> 6 | S-2288-AF showerhead |
| <input type="checkbox"/> 7 | S-2291-AF showerhead |
| <input type="checkbox"/> 9 | S-2292-AF showerhead |

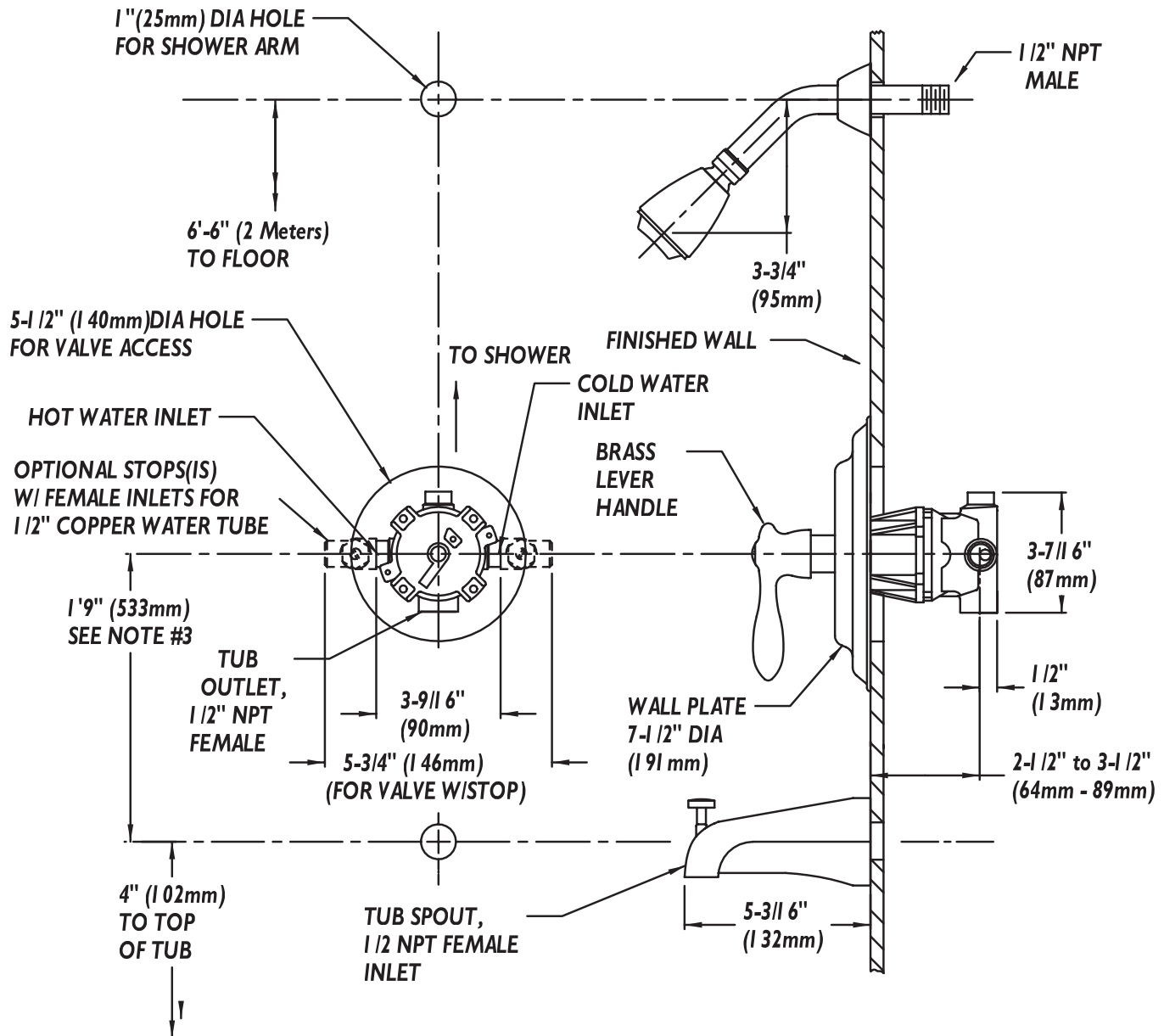
Contractor packs available upon request.

This space for Architect/Engineer approval.



Rough-Ins

SM-2030



NOTE: All dimensions are in inches (millimeters) unless otherwise specified and are subject to change without notice. Unless otherwise specified, all inlets and outlets are 1/2" female copper sweat. For ADA mounting locations consult ADAAG, ANSI A117.1, or state regulations.