

Eyewash Fixture w/ Hinged Dust Cover

Model S19-220DC (Shown)

Model S19-220SC

Model S19-230DC

- Complies with American National Standard Z358.1-2004
- Galvanized Steel Protected with BRADTECT™ Safety Yellow Coating or All Stainless Steel
- Universal Identification Sign and Inspection Tag Included
- Full, One-Year Warranty

Specifications

Unit design saves space and fits easily into any work environment. Eyewash operates quickly by a large, highly visible push handle. Safe, steady water flow under varying water supply conditions from 30-90 PSI is assured by integral flow control in the sprayhead assembly.

UPC and cUPC Approved:

The Emergency Fixtures are certified to comply with the requirements of the Uniform Plumbing Code and the National Plumbing Code of Canada by the International Association of Plumbing and Mechanical Officials (IAPMO).

Construction

Eyewash bowl, hinged dust cover and push handle are stainless steel. Galvanized steel piping and wall mounting bracket are additionally protected with BRADTECT™ safety yellow coating. S19-230 DC does not include a wall mounting bracket. Chrome plated tailpiece provided. S19-220SC is all stainless steel construction.

Standard Equipment

Eyewash Bowl

10" (254mm) diameter stainless steel.

Standard Sprayhead Assembly

Chrome-plated brass sprayhead assembly with twin, soft flow, eyewash heads and protective sprayhead covers. The integral flow control assures safe, steady flow under varying water supply conditions from 30-90 PSI. S19-220SC is all stainless steel.

Valve

Chrome-plated brass 1/2" IPS stay-open ball valve. Hand operated by a large, highly visible stainless steel push handle. S19-220SC is all stainless steel.

Hinged Dust Cover

Stainless steel cover keeps contaminants, dust and debris from eye washing area.

Pipe and Fittings

1/2" galvanized steel protected with BRADTECT™ safety yellow coating. S19-220SC is all stainless steel.

Wall Bracket – S19-220DC, S19-220SC

Heavy-gauge sand cast aluminum protected with BRADTECT™ safety yellow coating. Three clearance holes for wall mounting bracket; bolts by others. S19-220SC is all stainless steel.

Waste

1-1/4" drain fitting and tailpiece furnished.

Water Supply

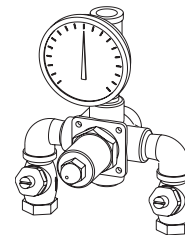
1/2" IPS.



Recommended Option:

Navigator S19-2000 EFX8
Emergency Thermostatic Mixing Valve

NAVIGATOR



Satisfies ANSI Z358.1-2004
tepid water requirements.

Document No. 4290

This information is subject to change without formal notice.
© 2006 Bradley Corporation
10-11-2006 (2 Pages Total)

Bradley 

P.O. Box 309, Menomonee Falls, WI 53052-0309
Phone 1-800-BRADLEY FAX 262-251-5817
Web Site: <http://www.bradleycorp.com>



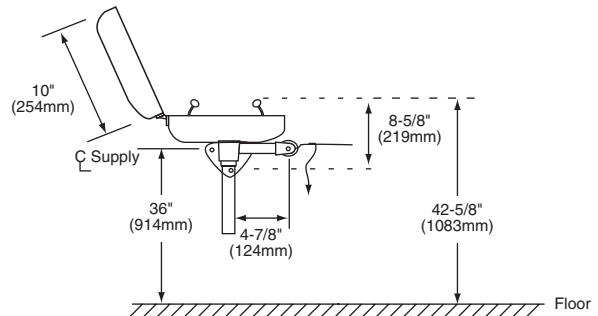
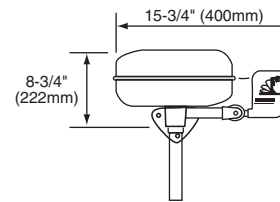
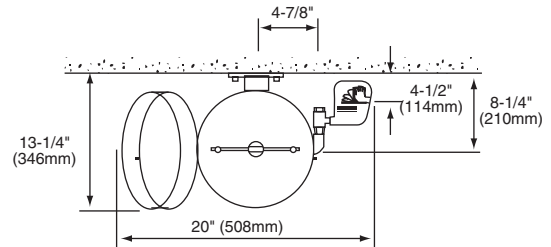
Eyewash Fixture w/ Hinged Dust Cover

Model S19-220DC (Shown)

Model S19-220SC

Model S19-230DC

MODEL	
Model No.	Description
<input type="checkbox"/> S19-220DC	Eyewash Fixture w/ Hinged Dust Cover and Wall Bracket
<input type="checkbox"/> S19-220SC	Eyewash Fixture w/ Hinged Dust Cover and Wall Bracket – All Stainless Steel.
<input type="checkbox"/> S19-230DC	Eyewash Fixture w/ Hinged Dust Cover – No Wall Bracket
<input type="checkbox"/> S19-2000	Navigator EFX8 – Emergency Thermostatic Mixing Valve



Document No. 4290

This information is subject to change without formal notice.
© 2006 Bradley Corporation
10-11-2006 (2 Pages Total)



P.O. Box 309, Menomonee Falls, WI 53052-0309
Phone 1-800-BRADLEY FAX 262-251-5817
Web Site: <http://www.bradleycorp.com>