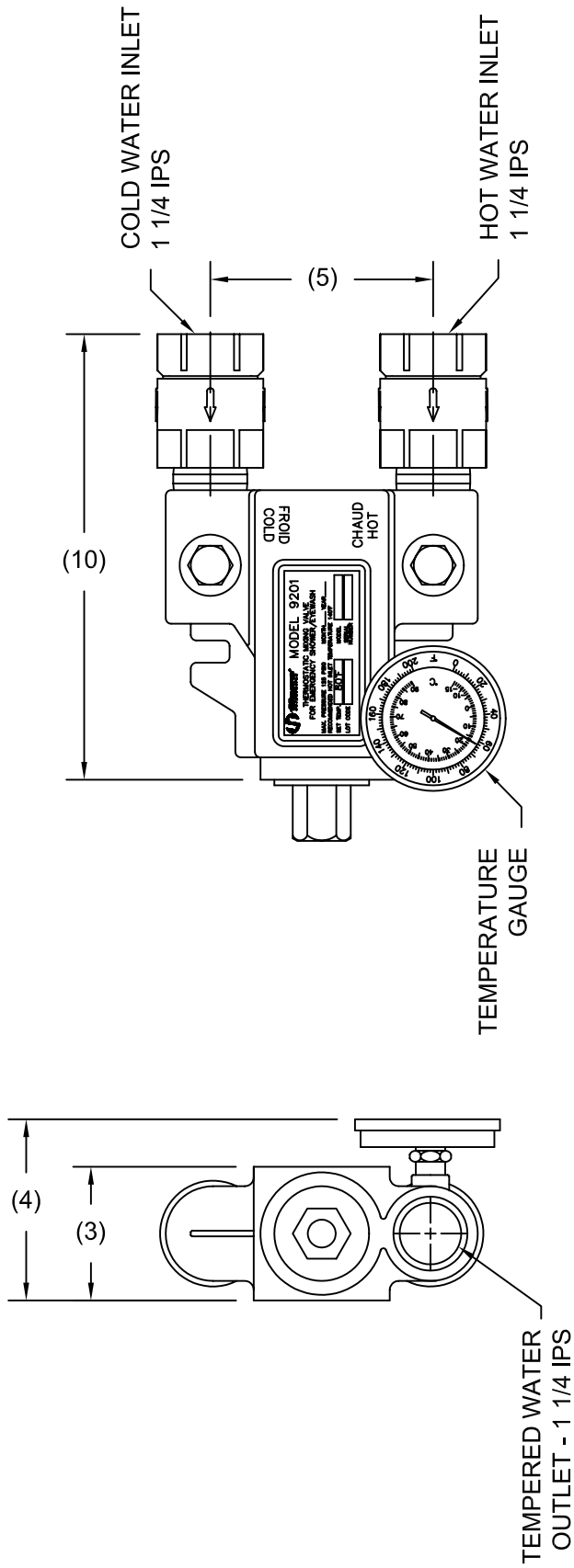


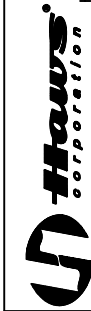
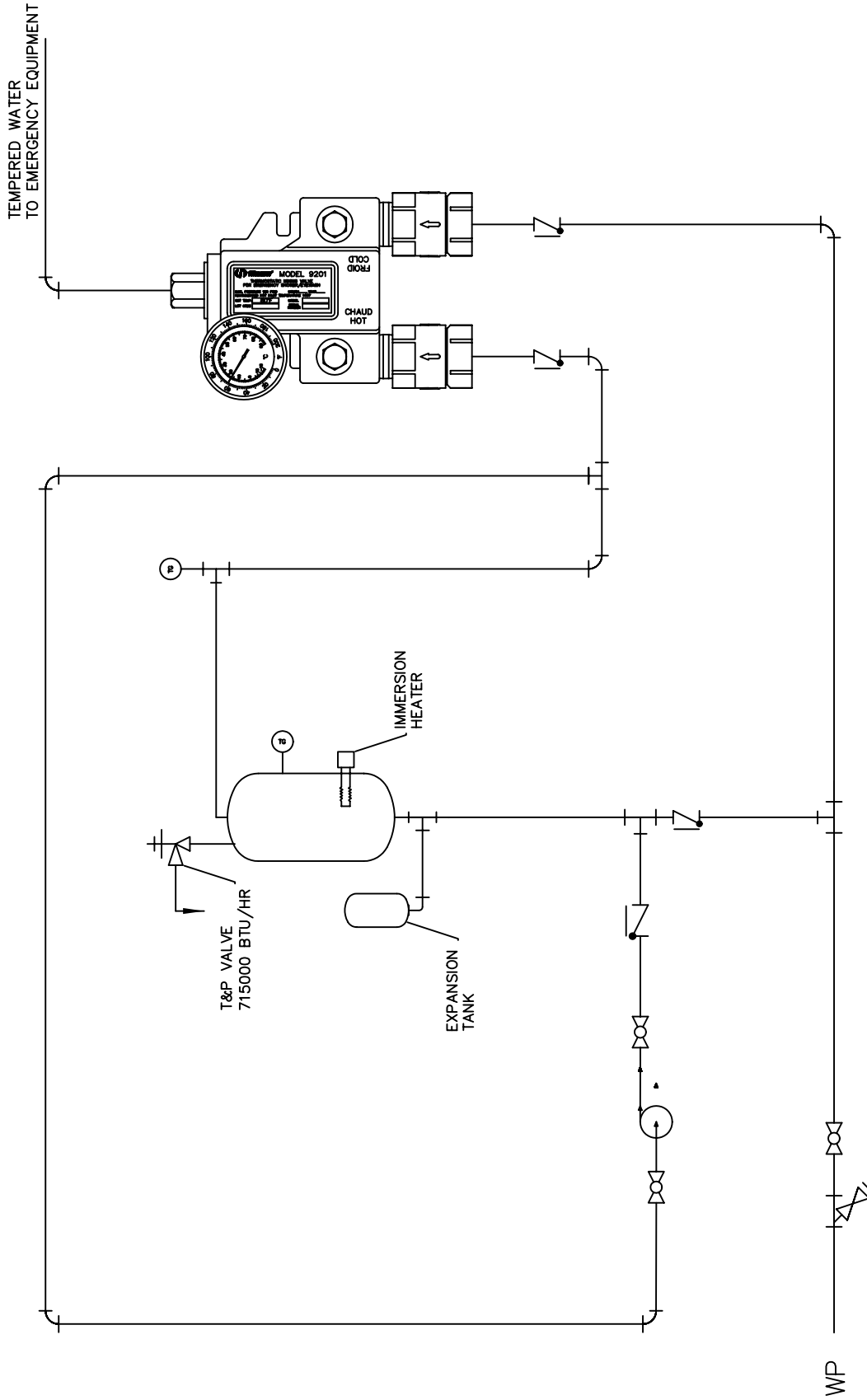
THIS DOCUMENT IS TRUE AND CORRECT AT TIME OF PUBLICATION. CONTINUED PRODUCT IMPROVEMENTS MAKE SPECIFICATIONS AND MEASUREMENTS SUBJECT TO CHANGE WITHOUT NOTICE.



INFO FAX : 1-888-FAX-HAWS (1-888-329-4297)
 1455 Kleppe Ln, Sparks NV, 89431
 Phone: 775-359-4712 Fax: 775-359-7424
 Haws Ag Bachweg 3 CH-3401 Burgdorf Switzerland
 Haws Mfg Pte Ltd 74 Sungei Kadut Loop Singapore 729531
 e-mail: Haws@hawsco.com website: www.hawsco.com

REV. 5	REV. 1	REV. 2
14098A00	0002080228.D	0002080228.D
DRAWING NUMBER	PART NUMBER	PART NUMBER
SCALE: A	SIZE: A	SHT. 1 OF 2
INSTALLATION/FABRICATION	INSTALLATION/FABRICATION	INSTALLATION/FABRICATION
MODEL(S):	9201 MIXING VALVE	9201 MIXING VALVE
INFO FAX DOC #:	29201	29201
DATE:	DATE:	DATE:
APPROVED:	APPROVED:	APPROVED:
BY: VMC	BY: VMC	BY: VMC
DATE: 04/99	DATE: 04/99	DATE: 04/99
TRAVEL:	TRAVEL:	TRAVEL:
P. M.	P. M.	P. M.
ECN: 3594	ECN: 3594	ECN: 3594
REVISED PER:	REVISED PER:	REVISED PER:
1	1	1

THIS DOCUMENT IS TRUE AND CORRECT AT TIME OF PUBLICATION. CONTINUED PRODUCT IMPROVEMENTS MAKE SPECIFICATIONS AND MEASUREMENTS SUBJECT TO CHANGE WITHOUT NOTICE.



INFO FAX : 1-888-FAX-HAWS (1-888-329-4297)
 1455 Kleppe Ln, Sparks NV, 89431
 Phone: 775-359-4712 Fax: 775-359-7424
 Haws Ag, Bachweg 3, CH-3401 Burgdorf Switzerland
 Haws Mfg Pte Ltd 74 Sungai Kadut Loop Singapore 729531
 e-mail: Haws@hawsco.com website: www.hawsco.com

EQ# NO:	REVISED BY:	MODEL(S):	0007080228.D
DRWNG:	ECN: 3994	9201 MIXING VALVE	
P.M.:	DATE: 04/99	INFO FAX DOC #: 29201	
APPROVED:	DATE:	SCALE: NA	DRAWING TYPE: INSTALLATION/FABRACK
			SIZE: A SH: 2 OF 2