

FEATURES

Model LK945AT08L2T

- Two hole dual handle wall mount faucet
- Quarter turn ceramic disc cartridge
- 2" offsets for adjustable inlet installation
3-3/8" to 8-1/2"
- Solid brass construction
- Chrome finish
- Includes spout swing restriction pin

Model LK945AT08T4T

- Same as LK945AT08L2T except with 4" wrist blades handles

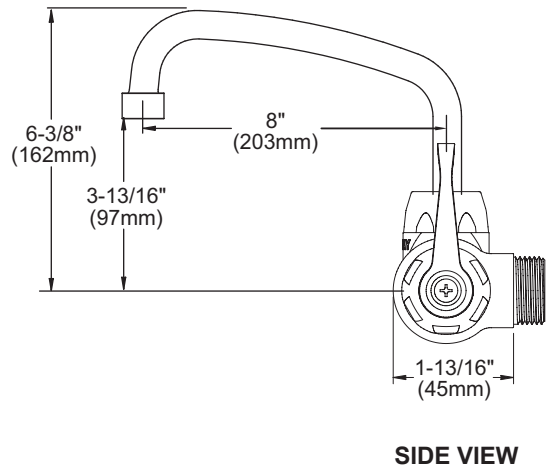
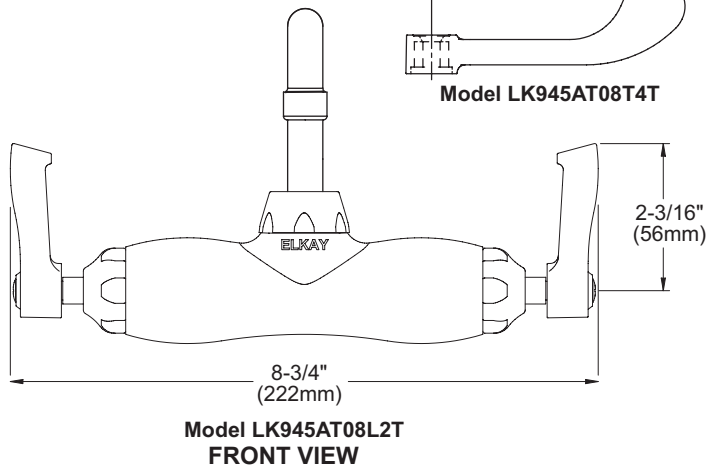
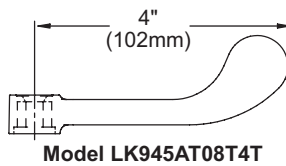
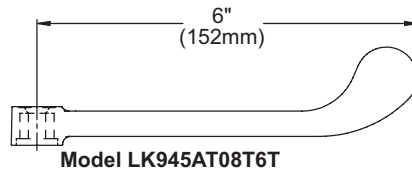
Model LK945AT08T6T

- Same as LK945AT08L2T except with 6" wrist blades handles

COMPLIES WITH:

- ASME/ANSI A112.18.1
- CSA B125-01
- NSF/ANSI 61
- ADA
- UPC/CUPC
- IAPMO Listed

Wall Mount 8" Center Commercial Faucet Models LK945AT08L2T, LK945AT08T4T, LK945AT08T6T



Job Name:

Item #:

Notes:

Architect/Engineer Approval:

Date:

SEE OTHER SIDE FOR REPLACEMENT PARTS



REPLACEMENT PARTS

Wall Mount 8" Center Commercial Faucet Models LK945AT08L2T, LK945AT08T4T, LK945AT08T6T

ITEM	IND. PART	DESCRIPTION
1	A55393	Spout
2	45918C	Handle
3	45923C	Right Cold Cartridge
4	45924C	Left Hot Cartridge
5	A55413	2" Adjustable Inlet
6	45917C	Body

