



# T&S BRASS AND BRONZE WORKS, INC.

2 Saddleback Cove / P.O. Box 1088  
Travelers Rest, SC 29690



REG. #A2601  
ISO #9001

Model No.

**B-2282**

Item No.

Travelers Rest, SC: 800-476-4103 Simi Valley, CA: 800-423-0150 Fax: 864-834-3518 www.tsbrass.com

This Space for Architect/Engineer Approval

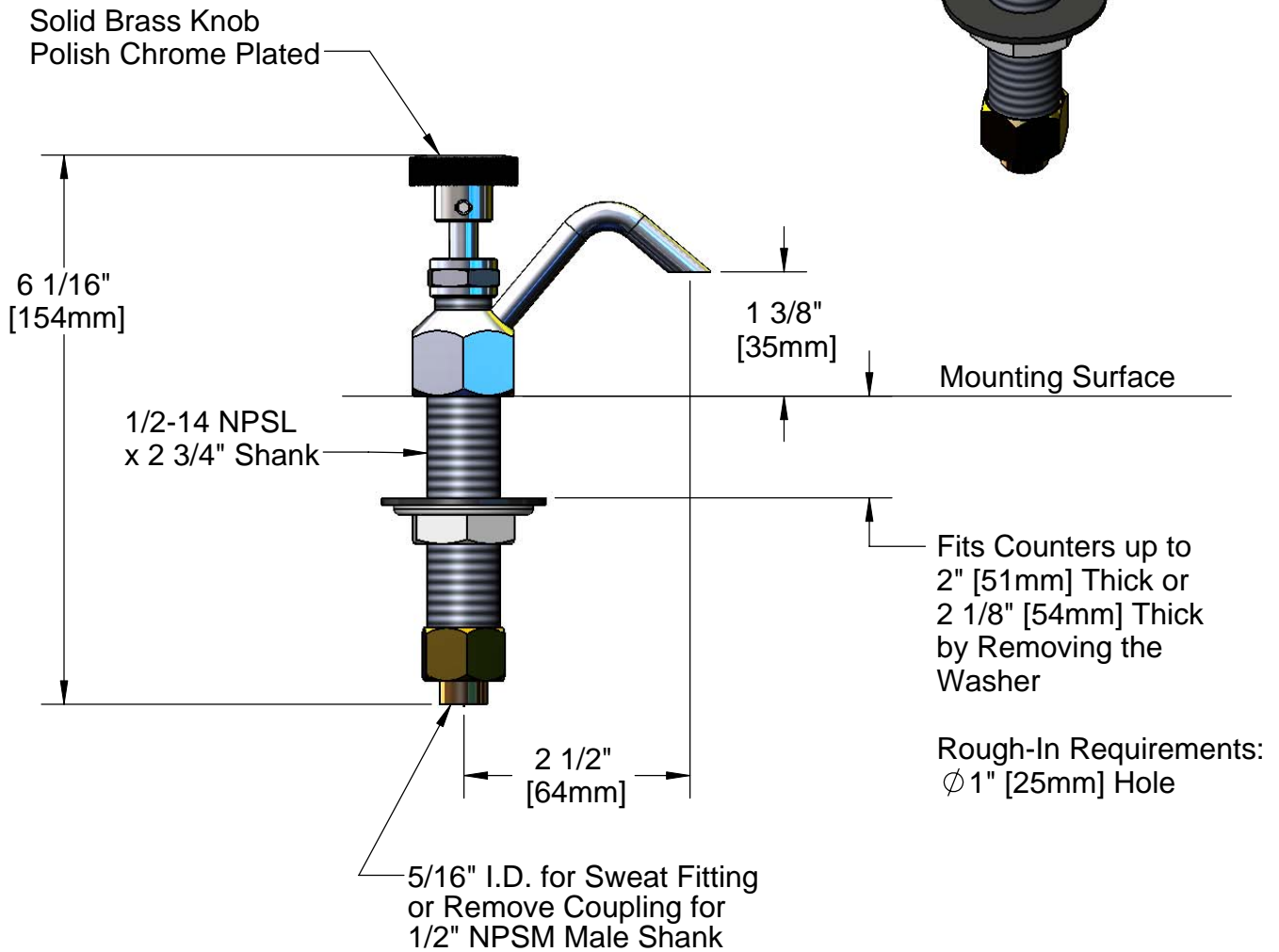
Job Name \_\_\_\_\_ Date \_\_\_\_\_

Model Specified \_\_\_\_\_ Quantity \_\_\_\_\_

Customer/Wholesaler \_\_\_\_\_

Contractor \_\_\_\_\_

Architect/Engineer \_\_\_\_\_



Product Specifications:  
**Dipperwell Faucet**

Drawn  
**DHL**

Checked  
**GEF**

Approved  
**JHB**

Scale:

**1:2**

Date:

**06/30/08**



**T&S BRASS AND BRONZE WORKS, INC.**

2 Saddleback Cove / P.O. Box 1088  
Travelers Rest, SC 29690



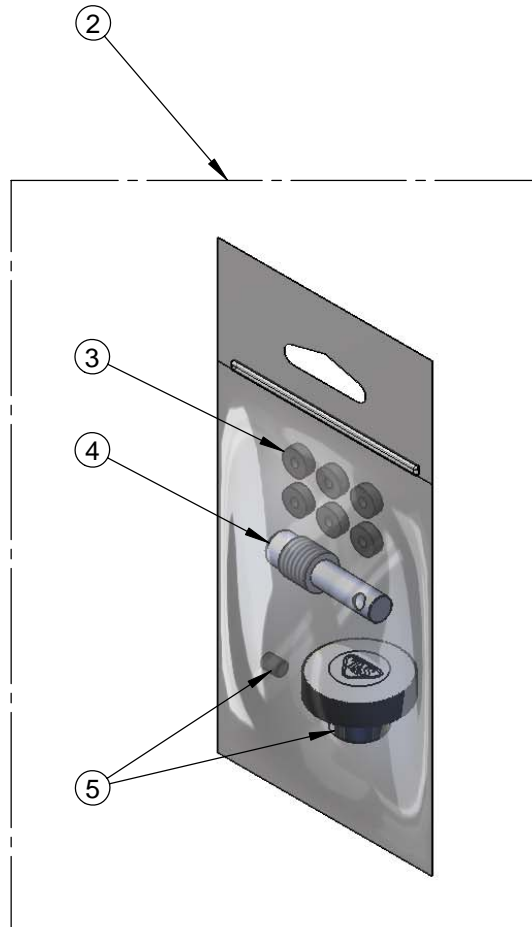
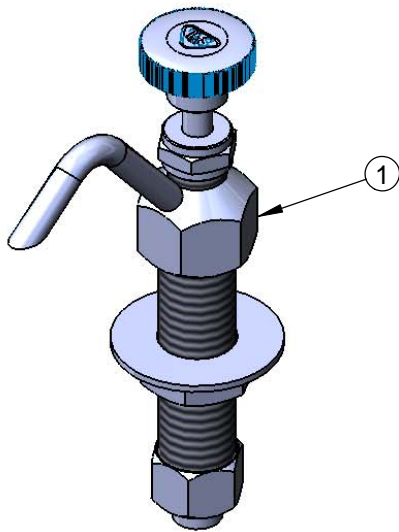
REG. #A2601  
ISO #9001

Model No.  
**B-2282**

Item No.

Travelers Rest, SC: 800-476-4103 Simi Valley, CA: 800-423-0150 Fax: 864-834-3518 www.tsbrass.com

ITEM NO.	SALES NO.	DESCRIPTION
1	B-2282	Dipperwell Faucet
2	B-2282-RK	Parts Kit for Dipperwell
3	012481-45	Seat Washer for Dipperwell Stem
4	006680-45	Dipperwell Stem, Seat Washer & Screw
5	014041-45	Dipperwell Knob & Set Screw



Product Specifications:  
Dipperwell Faucet

Drawn <b>DHL</b>	Checked <b>GEF</b>	Approved <b>JHB</b>
Scale: <b>1:4</b>		Date: <b>06/30/08</b>