

APPLICATION:

PRODUCT NAME:

GLASS FILLER WITH SINK ASSEMBLY

JOB NAME:

_____ SPECIAL CONFIGURATION
(CHECK BASE MODEL AND OPTIONS)

QUANTITY:

ITEM NO.:

MODEL:

1400

OPTIONS OR MODIFICATIONS:

OTHER _____

FEATURES:

GLASS FILLER

- * REPLACEABLE STAINLESS STEEL HEAD
- * MEETS NSF 61/SEC.9**
- * TAMPER PROOF VOLUME CONTROL
- * HANDLES BOTH PAPER AND GLASS CUPS
- * NON-MARRING WHITE DELRIN PRONG
- * STAINLESS STEEL SEAT SCREW
- * STAINLESS STEEL STREAM STRAINER

SINK ASSEMBLY

- * STAINLESS STEEL CONSTRUCTION
- * 3/4" DRAIN ASSEMBLY
- * VINYL-DIPPED GRILL

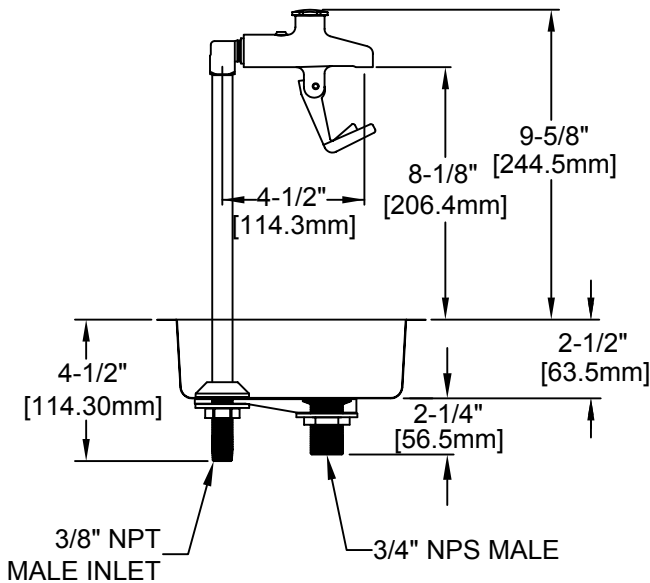
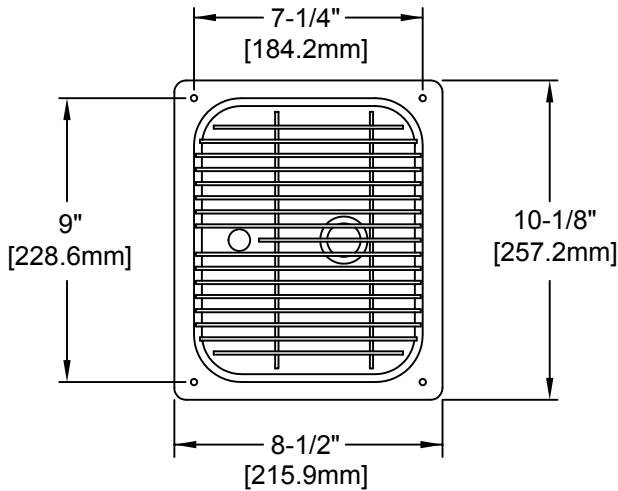
**TESTED UNDER NSF-CSA ALLIANCE PROGRAM

SYSTEM LIMITS

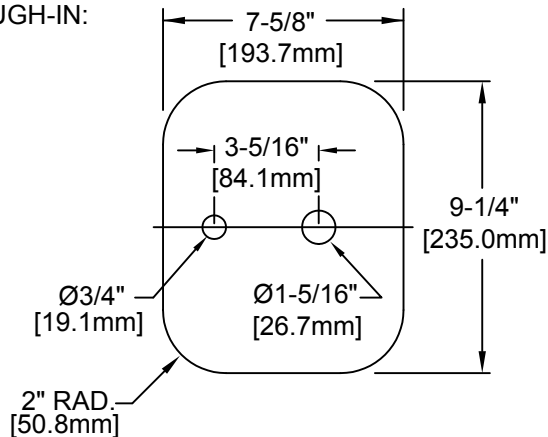
- * TEMP: 40°F MIN. TO 140°F MAX.
- * PRESSURE 100 PSI MAX. STATIC
- * 2.20 GPM AT 80 PSI

SHIPPING WEIGHT

- * 5.25 LBS



ROUGH-IN:



ANSI/A112.18.1M, ANSI/NSF 61.9



FISHER MANUFACTURING COMPANY
TOLL FREE: 800-421-6162 - FAX: 800-832-8238
information@fisher-mfg.com - www.fisher-mfg.com