



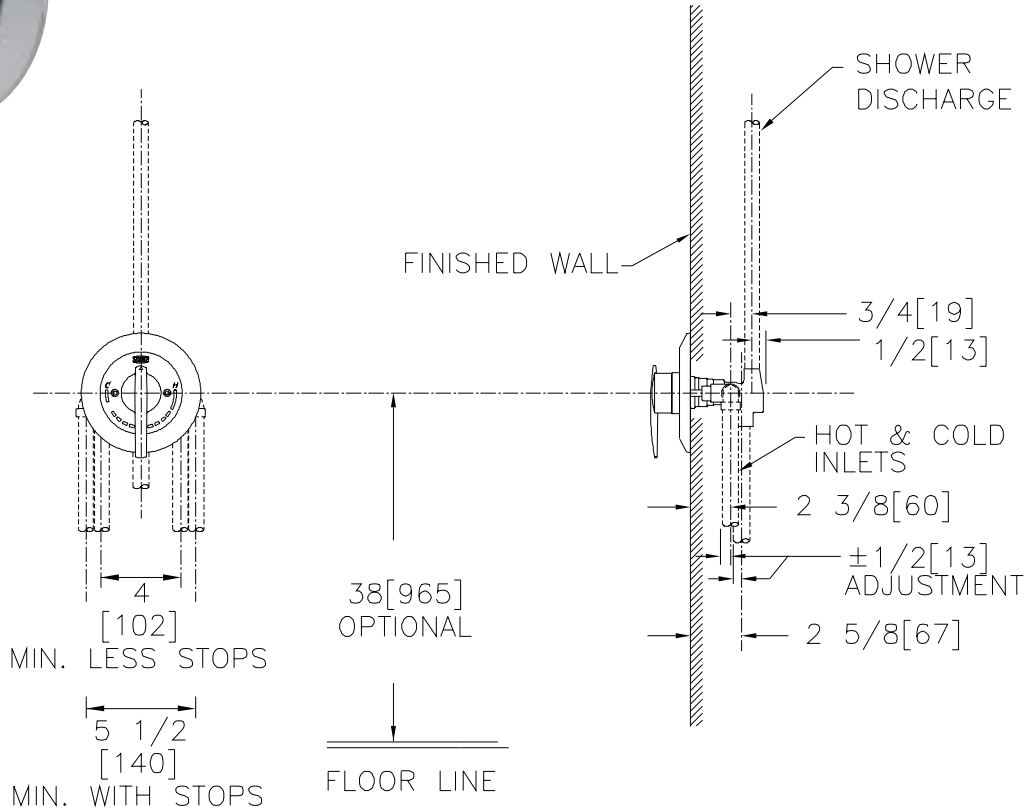
# TEMP-GARD TUB and SHOWER VALVE

## Z7200-SS-LH

### TAG \_\_\_\_\_

#### ENGINEERING SPECIFICATIONS: ZURN Z7200-SS-LH

Single handle pressure balancing mixing tub and shower valve, with single bronze stem, stainless steel balancing piston integral with stem assembly, metal lever handle, integral service stops, and brass adjustment limit stop screw in cap. Complete with double seal packing, adjustable brass packing nut, and removable brass seats; all exposed trim with polished nickel chrome plated surface. All four valve ports are 1/2" female copper sweat connections.



Note: All dimensions are for reference only. Do not use for pre-plumbing

#### OPTIONS (Check/specify appropriate options) Use with Z7000 prefix

Suffix	Description
___ -BC	Back Connections (1/2") (for 90° Installations), Shipped as Loose Adaptors, to be Installed in the Field
___ -CC	Conversion Cover Plate
___ -IP	1/2" Female Threaded Connection, Shipped as Loose Adaptors, to be Installed in the Field
___ -MT	Metal Cover, Escutcheon & Stem Handle
___ -RC	Reverse Connections (For Back-to-Back Installations)
___ -SC	Pair of Dual Spring Check Valves
___ -STH	ABS Chrome Plated Handle with Screw and Button
___ -WF	Wall Mounting Flange for Fiberglass or Panel Wall Installation

#### STANDARDS

Tested to meet the following standards for valves and plumbing fittings:  
ASSE Standard No. 1016  
CSA Standard B125-M89  
Shower heads meet ANSI A112.18.1  
Meets or Exceeds ANSI A117.1M standard for physically handicapped



ZURN INDUSTRIES, LLC. ♦ COMMERCIAL BRASS OPERATION ♦ 2640 SOUTH WORK STREET ♦ FALCONER NY 14733

Phone: 1-716-665-1132 ♦ Fax: 1-716-665-1135 ♦ World Wide Web: [www.zurn.com](http://www.zurn.com)

In Canada: ZURN INDUSTRIES LIMITED ♦ 3544 Nashua Drive ♦ Mississauga, Ontario L4V1L2 ♦ Phone: 905/405-8272 Fax: 905/405-1292

Rev. C

Date: 9/26/07

C.N. No. 106658

Dwg. No. 66235

Product No. Z7200-SS-LH