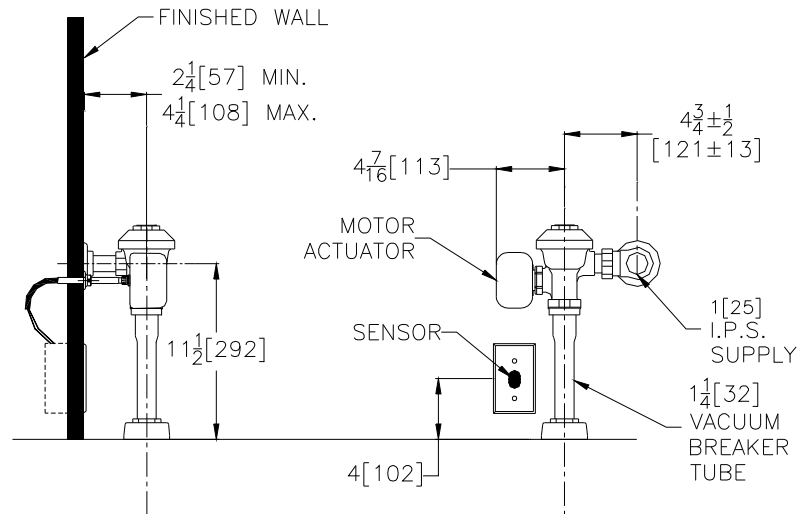




## Exposed ZEMS6001AV Model Hardwired Automatic Sensor Flush Valve For 1-1/4" Urinals



### Flow Options

- WS1** 1.0 Gal. Low Consumption
- WS** 1.5 Gal. Water Saver
- Standard Flush** 3.0 Gallons Per Flush

### Suffix Options (Check/Specify Appropriate Options)

- \_\_\_\_\_ **-YJ** Split Ring Pipe Support
- \_\_\_\_\_ **-YK** Solid Ring Pipe Support
- \_\_\_\_\_ **-VP** Vandal-Resistant Stop Screw
- \_\_\_\_\_ **Other**

### Accessories (Order Separate as Specified)

- P6000-HW6** 120VAC/6VDC Hardwired Power Converter (up to eight valves)
- P6000-MJ** Mini Junction Box
- P6000-PC6** 120VAC/6VDC Plug-In Power Converter (up to eight valves)

**NOTE: MUST USE EITHER ZURN P6000-HW6 HARDWIRE POWER CONVERTER OR ZURN P6000-PC6 PLUG-IN POWER CONVERTER TO ENSURE PROPER OPERATION. USING A POWER CONVERTER OTHER THAN ZURN MAY RESULT IN OPERATION MALFUNCTION OR UNIT FAILURE.**

**ENGINEERING SPECIFICATION: ZURN ZEMS6001AV AquaSense® 'AV' Exposed Hardwired Automatic Sensor Flush Valve For 1-1/4" [32] Urinals** - Exposed, quiet diaphragm-type, chrome plated, flushometer valve with a polished exterior. Complete with Zurn's AquaVantage® TPE, chloramine resistant, dual seal diaphragm with a clog resistant, triple filtered by-pass. The valve incorporates a 6 VDC motorized actuator, an automatic sensor with a manual push-button override, high back pressure vacuum breaker, one piece hex coupling nut, adjustable tailpiece, and spud coupling and flange for top spud connection. Switchable sensor features include: courtesy flush, automatic 8 hour flush, and diagnostic indicator lights. Control stop has internal siphon-guard protection, vandal resistant cap, sweat solder kit, and a cast wall flange with set screw. Internal seals are made of chloramine resistant materials. Electrical box by others (see installation instructions for size and type). Note: Order power converter separate, one power converter operates up to eight valves.

This space is for Architectural/engineering Approval

The information contained in this document is subject to change without notice. Please contact Zurn for most up to date information.

ZURN INDUSTRIES, LLC. ♦ COMMERCIAL BRASS OPERATION ♦ 5900 ELWIN BUCHANAN DRIVE ♦ SANFORD NC 27330

Phone: 1-800-997-3876 ♦ Fax: 919-775-3541 ♦ World Wide Web: www.zurn.com

In Canada: ZURN INDUSTRIES LIMITED ♦ 3544 Nashua Drive ♦ Mississauga, Ontario L4V1L2 ♦ Phone: 905-405-8272 Fax: 905-405-1292