

CHICAGO FAUCETS
a Geberit company

2100 South Clearwater Drive
Des Plaines, IL 60018
Phone: 847-803-5000
Fax: 847-803-5454
www.chicagofaucets.com

REPAIR PARTS

BY: JAR DATE: 05-23-02
CHK: [Signature] REV: 08-01-08

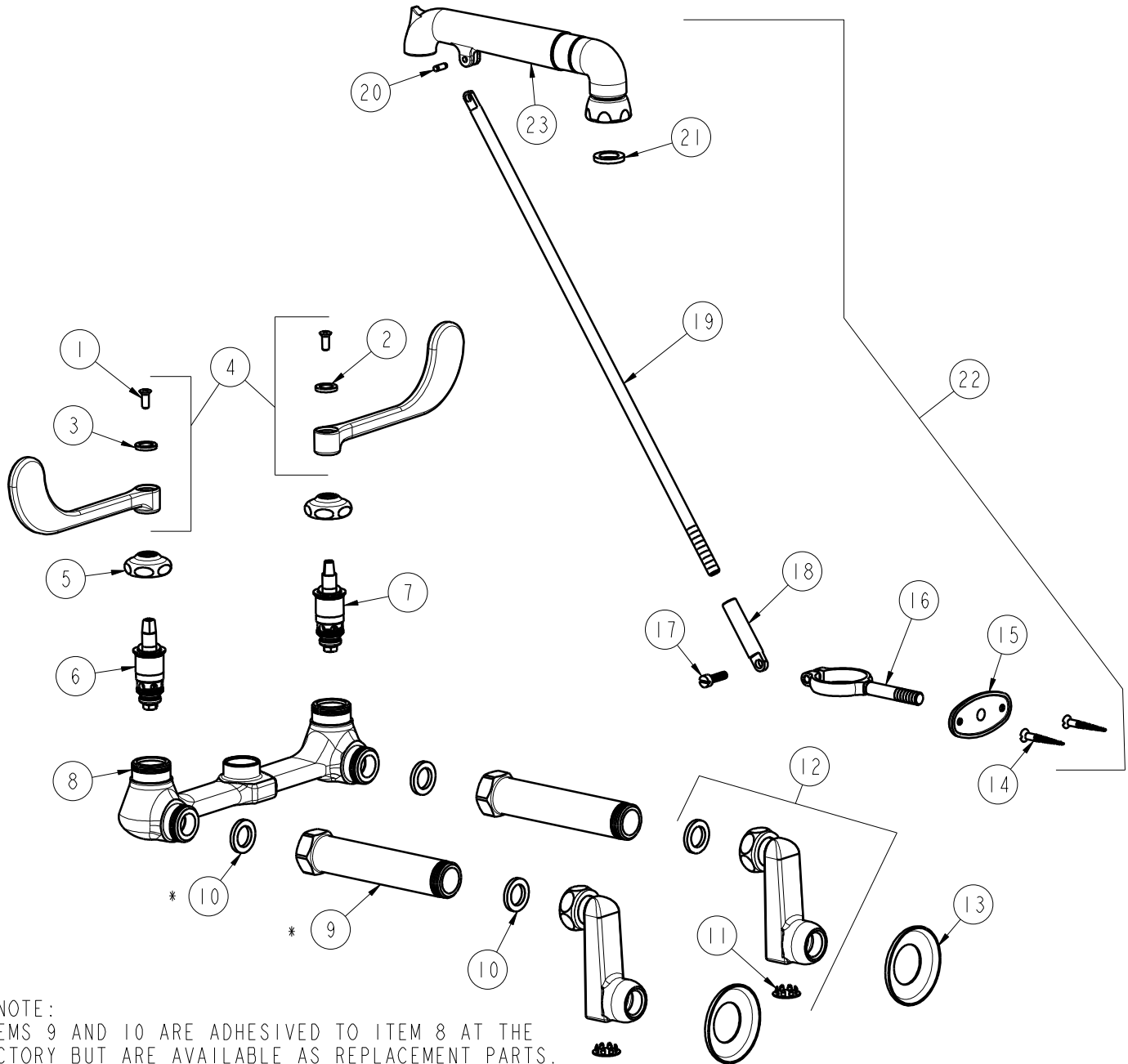
FITTING NO.

815-CP

SUBMITTED MODEL NO.

ITEM NO.

FOR TECHNICAL ASSISTANCE
1-800-TEC-TRUE (1-800-832-8783)



* NOTE:
ITEMS 9 AND 10 ARE ADHESIVED TO ITEM 8 AT THE
FACTORY BUT ARE AVAILABLE AS REPLACEMENT PARTS.

ITEM	PART NO.	DESCRIPTION	ITEM	PART NO.	DESCRIPTION
1	420-010JKRCF	SCREW, 10-32 UNC PH 1/2	13	1-055JKCP	FLANGE
2	633-023JKNF	INDEX BUTTON (RED)	14	173-006JKCP	FLAT HEAD WOOD SCREW (1)
3	633-123JKNF	INDEX BUTTON (BLUE)	15	173-109JKCP	FLANGE
4	319-PRJKCP	WRISTBLADE HANDLE (PAIR)	16	173-010JKCP	PIPE SUPPORT
5	1-214JKCP	CAP	17	173-012JKCP	SCREW
6	1-099XTJKNF	QUATURN UNIT (RH)	18	173-026JKCP	SLEEVE, SPOUT
7	1-100XTJKNF	QUATURN UNIT (LH)	19	815-001JKCP	BRACE ROD 15-7/8"
8	---	VALVE BODY (NOT SOLD SEPARATELY)	20	50-007JKBNF	PIN
9	EX5JKCP	EXTENSION	21	340-004JKNF	CELCON WASHER
10	1-011JKNF	WASHER, .97 X .62 X .12	22	815-SJKCP	SPOUT ASSEMBLY
11	1-144JKCP	BUTTON	23	---	SPOUT ASSEMBLY
12	RJKCP	SUPPLY ARM WITH BUILT-IN SHUT-OFF			