

SPEAKMAN®

SE-506

EYESAVER® EYEWASH

DESCRIPTION

SE-506 Eyesaver wall mounted eyewash offers twin aerated sprays for gentle yet thorough rinsing of the eyes. The unit features a rectangular yellow Acrylic/PVC bowl and paddle handle activation.

SPECIFICATIONS

Bowl: Acrylic/PVC thermoplastic

Spray Heads: (2) yellow, plastic, aerated

Valve: 1/2" NPT female brass, chrome-plated

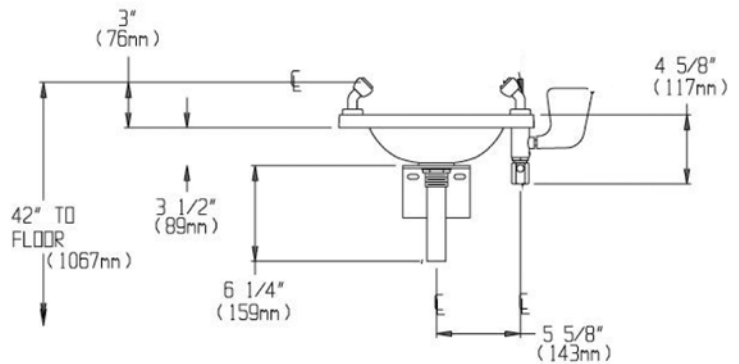
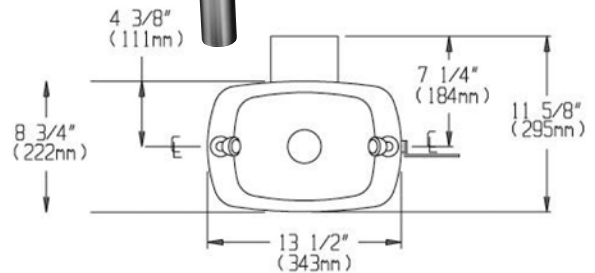
Activator: Stainless steel push handle

Inlet: 1/2" NPT female

Performance: 3.0 gpm @ 30 psi

Compliance: ANSI Z358.1

Universal Emergency Sign Included



OPTIONS

- FLW Flow switch
- FPV Freeze protection valve
- HS Hand-held spray
- ILS In-line strainer
- PT P-trap
- SPV Scald protection valve
- SSBV2 1/2" stainless steel valve

Job Name _____
Location _____
Architect/Engineer _____
Sales Representative _____
Wholesaler _____
Date _____ Model # _____