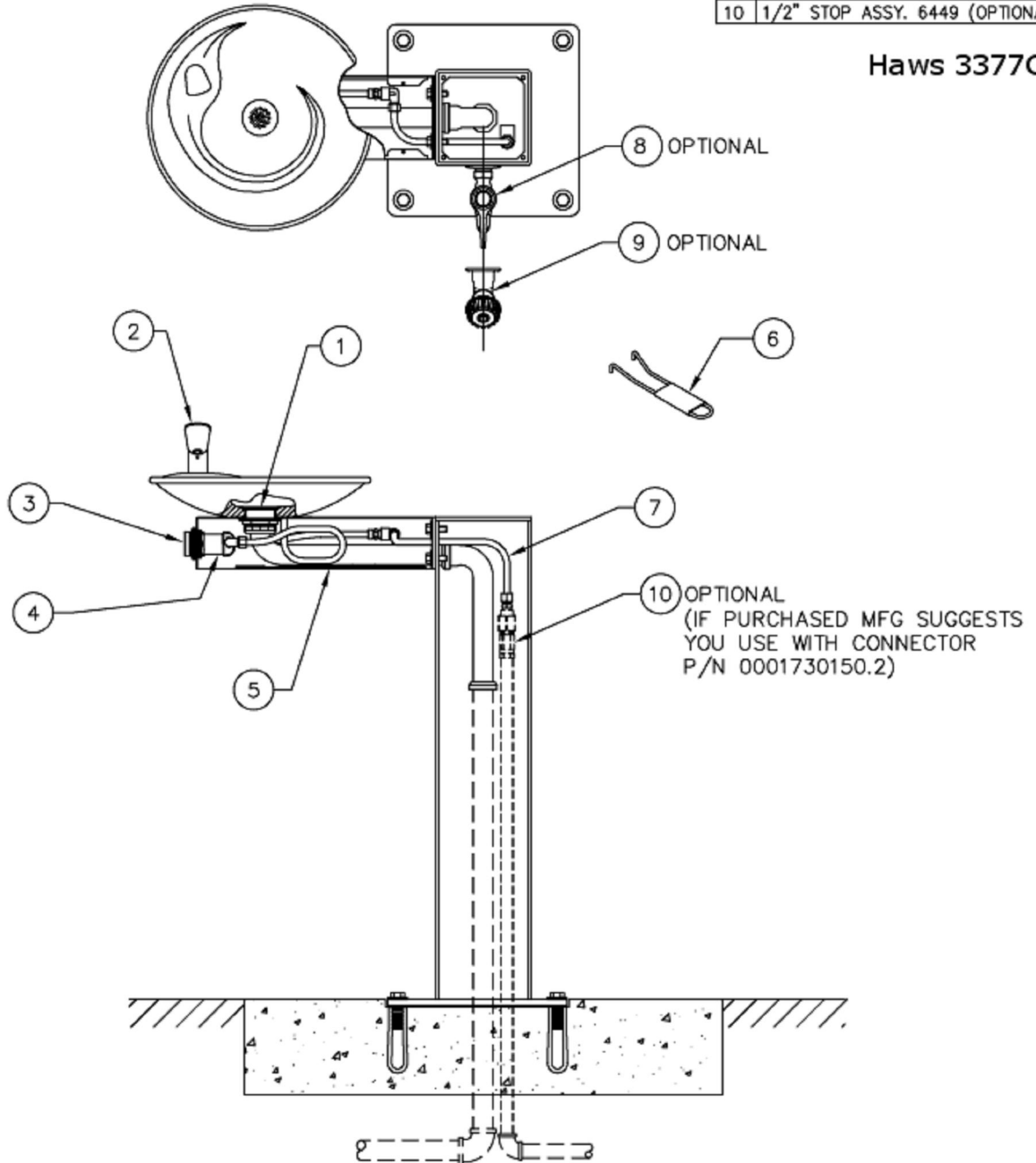


PARTS BREAKDOWN

ITEM	DESCRIPTION
1	STRAINER ASSY 6463
2	HEAD W/LAMINAR INSERT 5705
3	PUSH BUTTON ASSY PBA6
4	VALVE, 5874
5	BOTTOM PLATE PBM1000
6	SPANNER WRENCH P/N 0006983506
7	SUPPLY TUBING ϕ 3/8"
8	BIB FAUCET 6250LF (OPTIONAL)
9	HOSE BIB 6275 (OPTIONAL)
10	1/2" STOP ASSY. 6449 (OPTIONAL)

Haws 3377G



www.DrinkingFountainDoctor.com
1-800-518-5388