



T&S BRASS AND BRONZE WORKS, INC.
 2 SADDLEBACK COVE / P.O. BOX 1088 / TRAVELERS REST, SC 29690
 PHONE 800-476-4103 - FAX 864- 834-3518



Sales No.

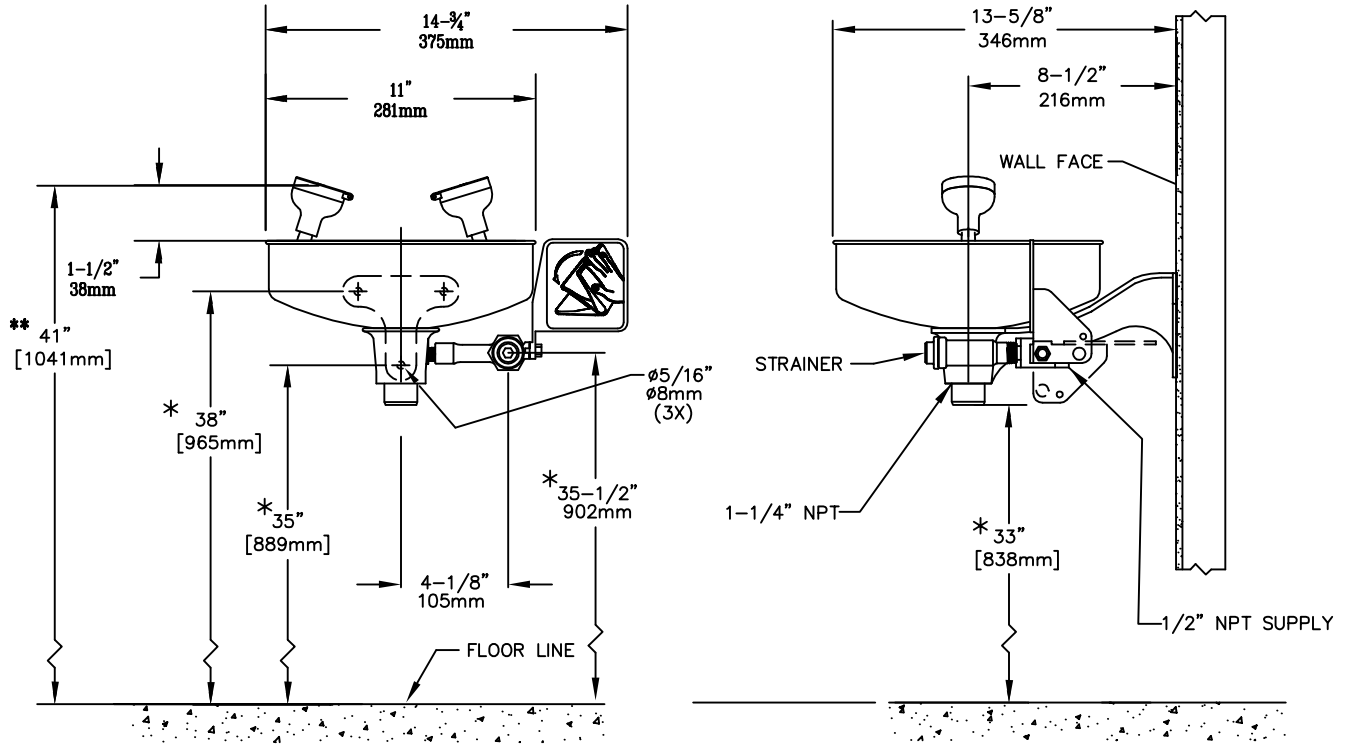
EW-7360B

**RELIABILITY
 BUILT IN**

Job Name:

Architect/Engineer Approval:

Notes:



NOTES:

- 1.** ANSI STANDARD Z358.1(LATEST REV.) SPECIFIES EYEWASH NOZZLES TO BE 33"(838mm) TO 45"(1143mm) ABOVE THE FLOOR.
2. *THESE DIMENSIONS ARE FOR REFERENCE

Product Description:

EYEWASH, WALL MOUNT

Drawn:

ARH

Checked

GEF

Scale:

1 : 1 2

Approved

JHB

Date:

12/14/07