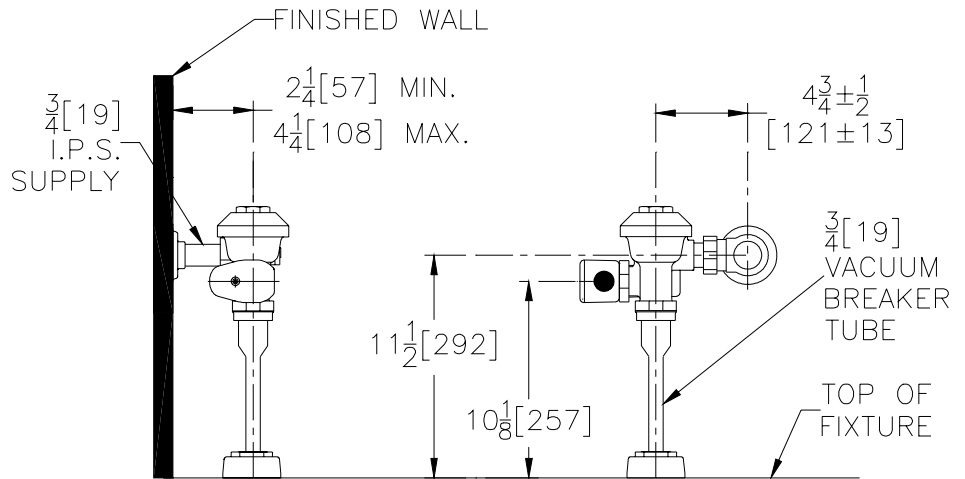




Exposed ZR6003AV Model Sensor Operated Battery Powered Flush Valve For 3/4" Urinals



Flow Options

- WS1** 1.0 Gal. Low Consumption
- Standard Flush** 1.5 Gallons Per Flush

Suffix Options (Check/Specify Appropriate Options)

- _____ **-YJ** Split Ring Pipe Support
- _____ **-YK** Solid Ring Pipe Support
- _____ Other

ENGINEERING SPECIFICATION: ZURN ZR6003AV AquaSense 'AV' Exposed 3/4[19] Urinal Flush Valve- Exposed, quiet diaphragm-type, chrome plated, flushometer valve with a polished exterior. Complete with Zurn's TPE chloramine resistant diaphragm with a clog resistant by-pass. The valve incorporates a 6VDC solenoid valve, a battery powered automatic sensor, a brass electronics housing with polished chrome plated exterior, high back pressure vacuum breaker, one piece hex coupling nut, adjustable tailpiece, spud coupling and flange for top spud connection. Control stop has internal siphon-guard protection, vandal resistant stop cap, sweat solder kit, and a cast wall flange with set screw. Internal seals are made of chloramine resistant materials.

This space is for Architectural/engineering Approval