



T&S BRASS AND BRONZE WORKS, INC.
 2 SADDLEBACK COVE / P.O. BOX 1088 / TRAVELERS REST, SC 29690
 PHONE 800-476-4103 - FAX 864- 834-3518



Model No.

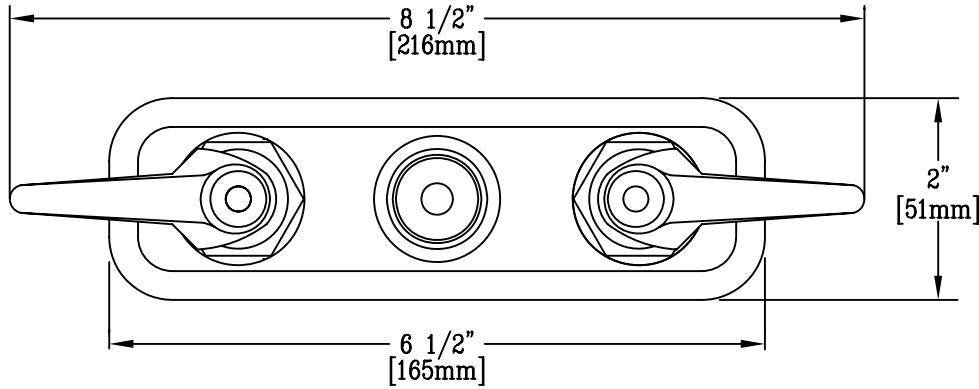
B-2491

**RELIABILITY
 BUILT IN**

Job Name:

Architect/Engineer Approval:

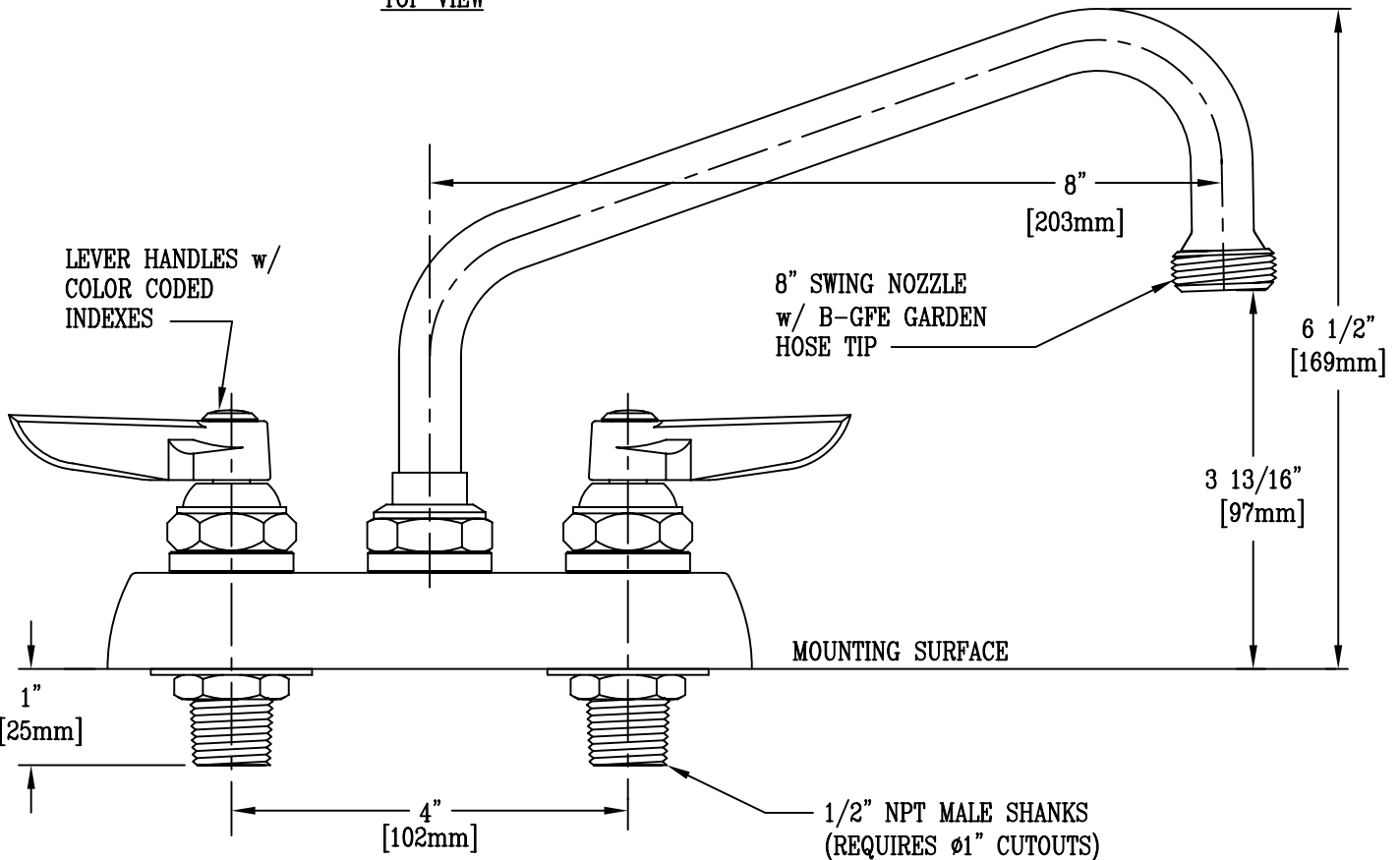
Notes:



TOP VIEW



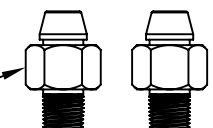
ADA Compliant



MOUNTING SURFACE

**1/2" NPT MALE SHANKS
 (REQUIRES 1" CUTOUTS)**

**150A Tailpiece and Nut
 Furnished for 1/4" NPT
 Connection**



Product Description:
 WORKBOARD FAUCET WITH 1/2" NPT MALE SHANKS,
 4" INLET CENTERS, 8" SWING NOZZLE,
 B-GFE GARDEN HOSE TIP & LEVER HANDLES

Drawn:	Checked:	Scale:
KJG	JRM	1 : 2
Approved:	Date:	
JHB	12/19/07	