



T&S BRASS AND BRONZE WORKS, INC.

2 Saddleback Cove / P.O. Box 1088
Travelers Rest, SC 29690



REG. #A2601
ISO #9001

Model No.

B-0871

Item No.

Travelers Rest, SC: 800-476-4103 Simi Valley, CA: 800-423-0150 Fax: 864-834-3518 www.tsbrass.com

This Space for Architect/Engineer Approval

Job Name _____ Date _____

Model Specified _____ Quantity _____

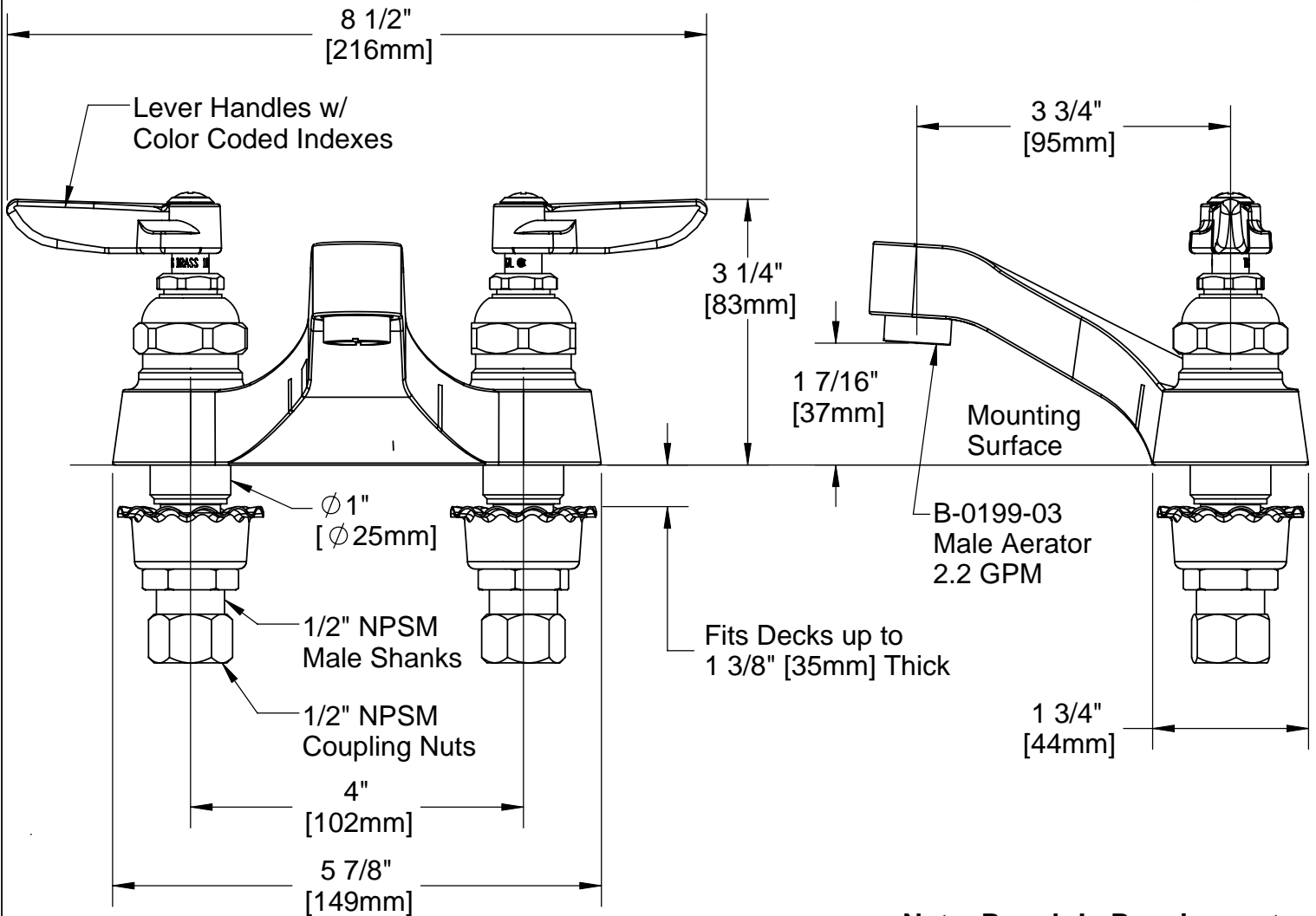
Customer/Wholesaler _____

Contractor _____

Architect/Engineer _____



ADA Compliant



Note: Rough-In Requirement
Ø 1 1/8" [Ø 29mm] Holes

Product Specifications:

4" Centerset Commercial Mixing Faucet w/ Eterna Cartridges, Lever Handles & 2.2 GPM Aerator

Drawn
KJG

Checked
DHL

Approved
JHB

Scale:

1:2

Date:

06/30/08



T&S BRASS AND BRONZE WORKS, INC.

2 Saddleback Cove / P.O. Box 1088
Travelers Rest, SC 29690



REG. #A2601
ISO #9001

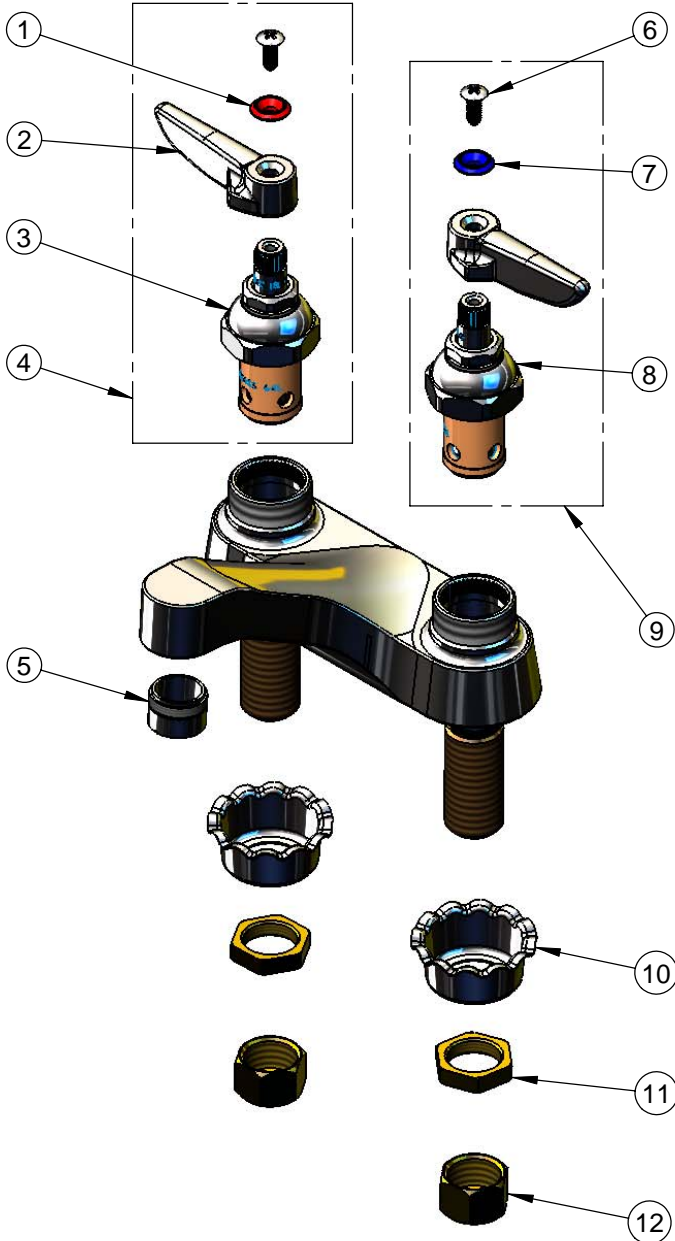
Model No.

B-0871

Item No.

Travelers Rest, SC: 800-476-4103 Simi Valley, CA: 800-423-0150 Fax: 864-834-3518 www.tsbrass.com

ITEM NO.	SALES NO.	DESCRIPTION
1	001661-45	Red Index-HW
2	001638-45	Lever Handle
3	005960-40	Spindle Asm, Eterna "Hot"
4	002714-40	Hot Eterna Spindle Assembly w/ Handle, Index & Screw
5	B-0199-03	2.2 GPM Aerator
6	000922-45	Lever Handle Screw
7	001660-45	Blue Index-CW
8	005959-40	Spindle Asm. Eterna "Cold"
9	002713-40	Cold Eterna Spindle Assembly w/ Handle, Index & Screw
10	001000-45	Rosette Washer
11	002954-45	Shank Lock Nut
12	000958-20	Coupling Nut



Product Specifications:

4" Centerset Commercial Mixing Faucet w/ Eterna Cartridges, Lever Handles & 2.2 GPM Aerator

Drawn KJG	Checked DHL	Approved JHB
Scale: NTS		Date: 06/30/08