

- Complies with American National Standard Z358.1-2004
- Galvanized Steel Protected with BRADTECT™ Safety Yellow Coating
- Universal Identification Sign and Inspection Tag Included
- Full, One-Year Warranty
- Patent Pending



Specifications

Designed for areas subject to freezing. Drench shower fits easily into any work environment. Shower valve operates quickly by a large, highly visible push handle. Shower provides a superior washdown with a more even spray pattern.

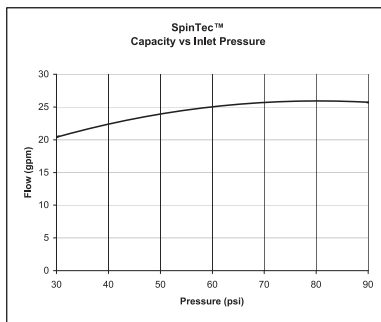
cUPC Approved:

S19-110HFP is certified to comply with the requirements of the Uniform Plumbing Code and the National Plumbing Code of Canada by the International Association of Plumbing and Mechanical Officials (IAPMO).

Standard Equipment

SpinTec™ Showerhead

3.1" (78.7mm) diameter highly visible yellow impact-resistant plastic for high visibility in emergency situations. SpinTec drench showerhead features integral 23 GPM flow control, conserving water and helping to accurately size your tepid water system.



Frost-Proof Valve

1" stay-open valve. Hand operated by a stainless steel push handle. Standard depth 36" (914mm). Special order for other bury depths (18"-48"-60"-72"). Note: Special order depths are non-returnable.

Pipe and Fittings

1-1/4" galvanized steel with BRADTECT™ safety yellow coating.

Water Supply

1-1/4" NPT.

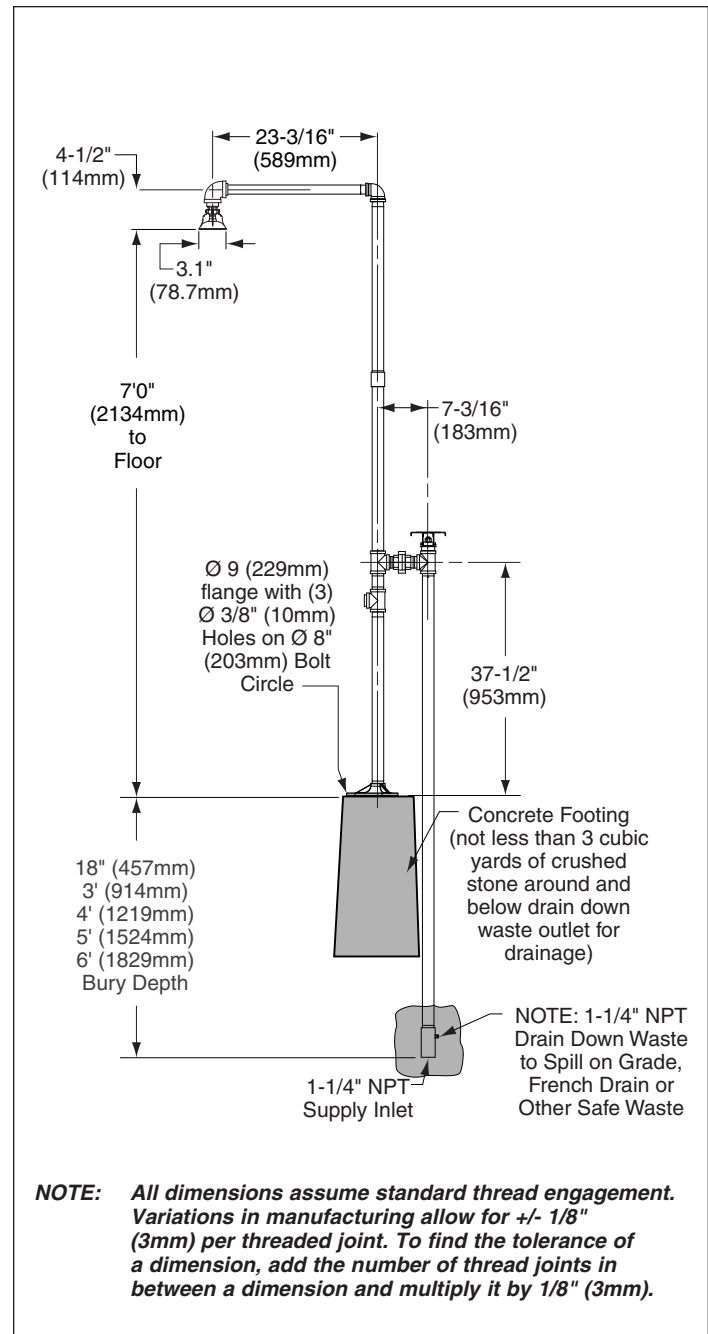
Recommended Option:

Navigator S19-2100 EFX25
Emergency Thermostatic Mixing Valve

NAVIGATOR



Satisfies ANSI Z358.1-2004
tepid water requirements.



Model	Description
<input type="checkbox"/> S19-110HFP	Frost-Proof Drench Shower
<input type="checkbox"/> S19-2100	Navigator EFX25 - Emergency Thermostatic Mixing Valve