



# T&S BRASS AND BRONZE WORKS, INC.

2 Saddleback Cove / P.O. Box 1088  
Travelers Rest, SC 29690



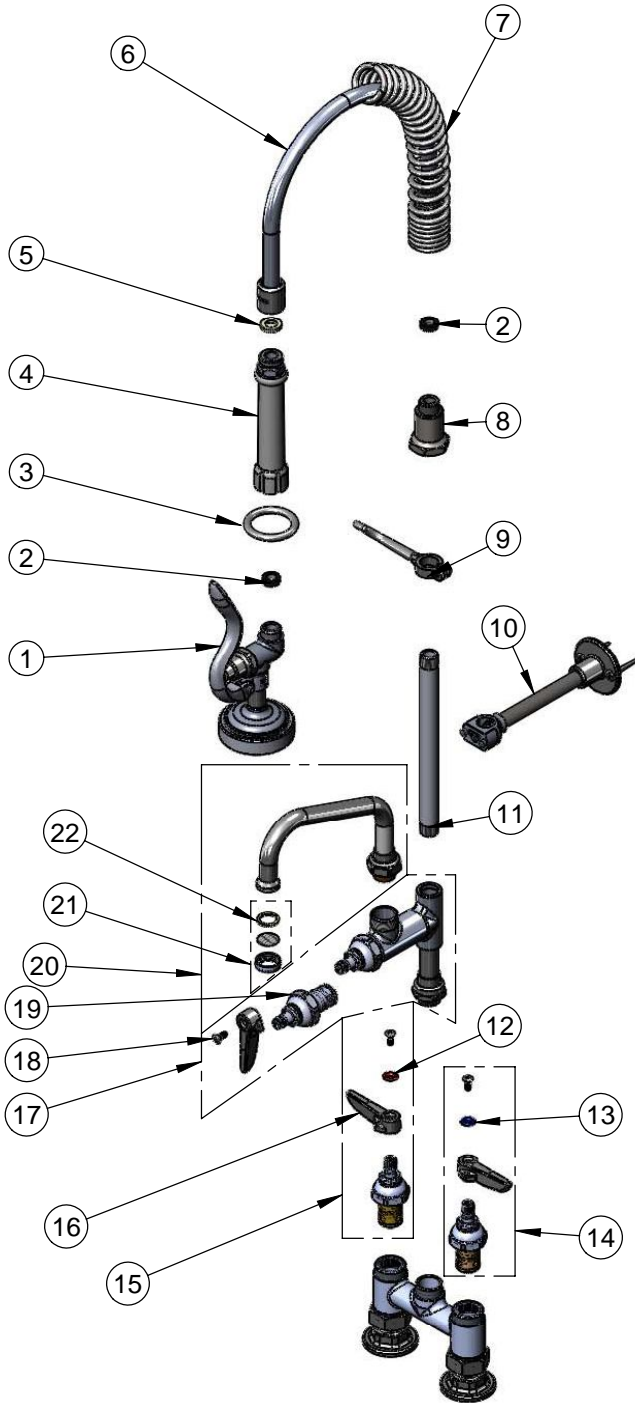
REG. #A2601  
ISO #9001

Model No.

**MPZ-4DLN-06**

Item No.

Travelers Rest, SC: 800-476-4103 Simi Valley, CA: 800-423-0150 Fax: 864-834-3518 www.tsbrass.com



ITEM NO.	SALES NO.	DESCRIPTION
1	B-0107	1.42 GPM Spray Valve
2	010476-45	#27 Washer
3	000907-45	Spray Valve Hold Down Ring
4	002987-40	Grip Handle Assembly
5	001014-45	Washer, B-0100 Hose Barrel
6	B-0024-H2A	24" Flex Hose Less handle
7	016795-45	Compact Spring
8	000821-40	Spring Body
9	004R	Finger Hook Assembly
10	B-0109-01	Bracket Assembly, 6" Wall
11	078X	3/8" x 8" Riser
12	001661-45	Red Index-HW
13	001660-45	Blue Index-CW
14	002711-40	Cold Eterna Spindle Asm w/ SC, Handle, Screw & Index
15	002712-40	Hot Eterna Spindle Asm w/ SC, Handle, Screw & Index
16	001638-45	Lever Handle
17	B-0155-LNEZ	Add-On 1/4 Turn Faucet
18	000922-45	Lever Handle Screw
19	007947-40	Quarter Turn Spindle Assembly
20	059X	6" Swing Nozzle
21	B-PT	Stream Regulator Outlet
22	001048-45	Nozzle Tip Washer

**Product Specifications:**

Easy Install Pre-Rinse Unit:  
4" Deck Mount Mixing Faucet, Add-On Faucet w/  
6" Swing Nozzle, Compact Spring & Flex Hose, B-0107  
Spray Valve, 6" Wall Bracket & Lever Handles

Drawn <b>JRM</b>	Checked <b>DMH</b>	Approved <b>JHB</b>
Scale: <b>NTS</b>		Date: <b>11/20/09</b>