



T&S BRASS AND BRONZE WORKS, INC.
 2 Saddleback Cove / P.O. Box 1088
 Travelers Rest, SC 29690

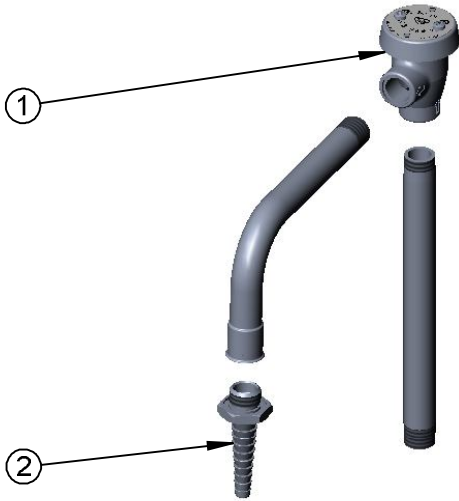


REG. #A2601
 ISO #9001

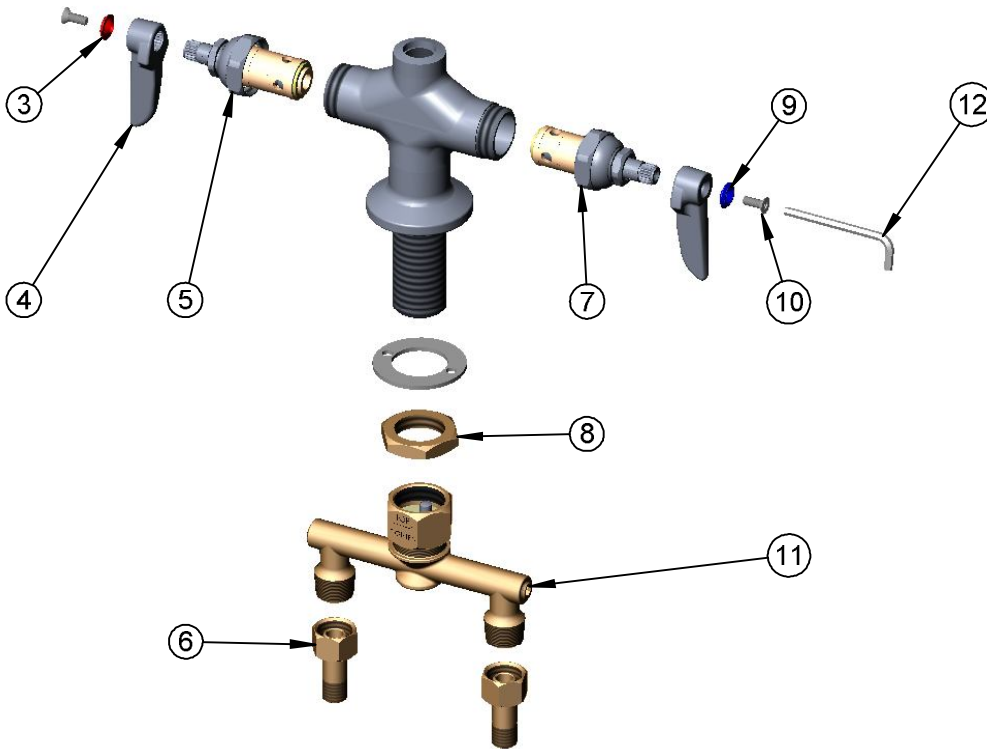
Model No.
BL-5700-08-VR

Item No.

Travelers Rest, SC: 800-476-4103 Simi Valley, CA: 800-423-0150 Fax: 864-834-3518 www.tsbrass.com



ITEM NO.	SALES NO.	DESCRIPTION
1	B-0968	Vacuum Breaker, 3/8"
2	B-0198	Serrated Tip
3	001661-45	Red Index-HW
4	177F	Lever Handle
5	005960-40	Spindle Asm, Eterna "Hot"
6	150A	Nut and Tailpiece Asm.
7	005959-40	Spindle Asm. Eterna "Cold"
8	000965-45	Lock Nut
9	001660-45	Blue Index-CW
10	010586-45	Pin-In-Socket Screw
11	002898-40	Spreader Assembly
12	010587-45	Pin-in-Socket Hex Key



Product Specifications:

Deck Mount Laboratory Mixing Faucet w/
 Rigid Vacuum Breaker Nozzle & Serrated Tip,
 & Vandal Resistant Pins

Drawn DHL	Checked JRM	Approved JHB
Scale: 1:4		Date: 8/10/07