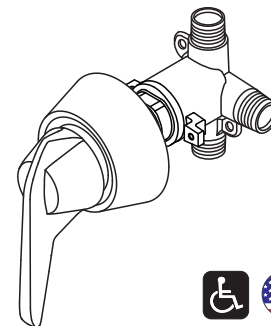






2DIV
Dual-Outlet Diverter with Trim
Specification Submittal

Location:

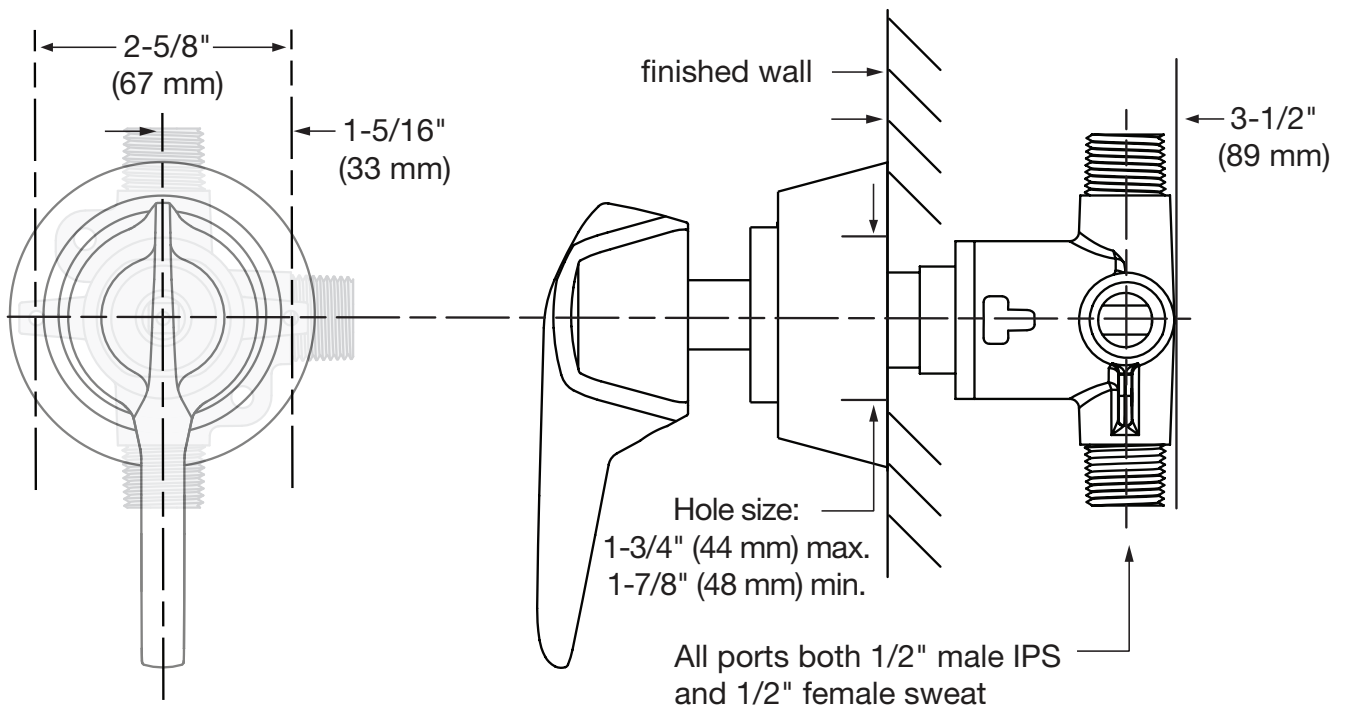


Model Numbers	Feature Highlights
<input type="checkbox"/> 2DIV Dual-Outlet Diverter with Trim	<ul style="list-style-type: none"> ▪ Two outlet ports. ▪ Lever handle. ▪ 1/2" male IPS & 1/2" female sweat port connections. ▪ Components made from metal and nonmetal materials, plated in standard Polished Chrome finish.
Options/Modifications	Warranty
<input type="checkbox"/> -TRM Trim only, valve not included	<p>Limited Lifetime - for residential installations. 10 Years - for commercial/industrial installations. Refer to www.symmons.com/warranty for complete warranty information.</p> 
	Compliance
<p>Note: Append appropriate -suffix to model number.</p>	<ul style="list-style-type: none"> • ASME A112.18.1/CSA B125.1. 

Architectural/Engineering Specification

Symmons Dual-Outlet Diverter with Trim _____ Includes two outlet ports, lever handle, 1/2" male IPS & 1/2" female sweat port connections. Components made from metal and nonmetal materials, plated in standard Polished Chrome finish. 10-Year Commercial Warranty. ASME A112.18.1/CSA B125.1, ASSE 1016 compliant. Available options include: TRM = Trim only, valve not included.

Dimensions


Notes:

1. See shower valve rough-in dimensions for system dimensions.
2. Dimensions subject to change without notice.