

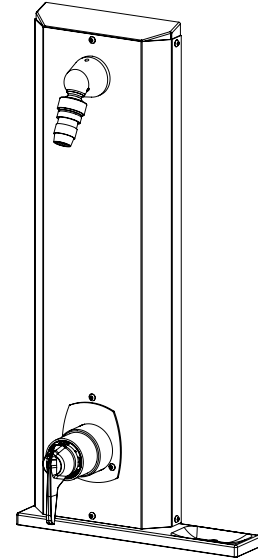
Surface Mounted Shower System

H801S: Through wall piping configuration with soap dish

Pressure Balancing mixing valve with screw driver service stops and adjustable stop screw to limit handle turn. Shower head Fre-Flo, all brass with ball joint. Attached soap dish and sloped metal top cap. Stainless steel covering to be 18 gauge with #4 brush finish.

Modifications

- S** Remove Modifier for Less Soap Dish
 - RS** Recessed soap dish
 - Valve Modifiers**
 - 56** Pressure balancing + metering
 - Shower Modifiers**
 - L1** Less shower head
-



*Displayed: H801S
Remove "S" modifier
for less soap dish*



Compliance

- ASME A112.18.1/CSA B125.1
- ASME A112.18.1/CSA B125.3
- ASSE 1016



Job/Location

.....

Engineer

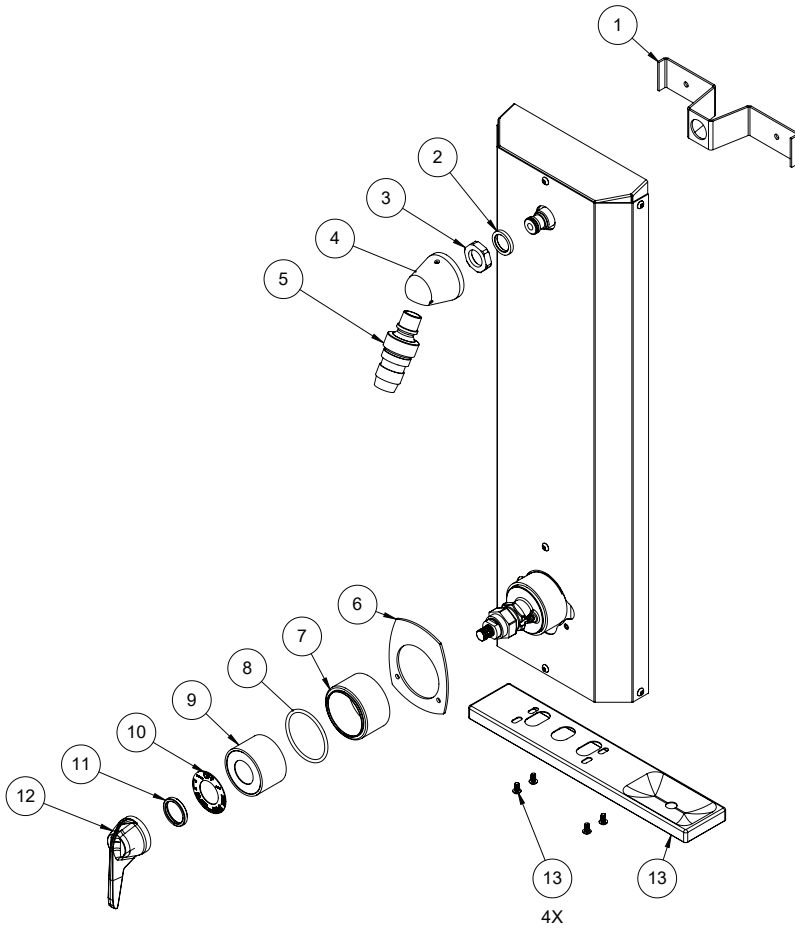
.....

Contractor

.....

For ADA compliance (Americans with Disabilities Act) consult ADAAG or your state regulations for proper product choice and mounting locations.

PARTS BREAKDOWN



#	Description	Part Number
1	Bracket for Solder Assembly	HPO6132
2	Nut	HPN-28
3	Nut	HPN-13
4	Bracket	HPN-9
5	Showerhead	4-282M
6	Nameplate	HP-6
7	Valve Cover	HP-10
8	O-Ring	HP-10A
9	Dome	SC-13B-PL
10	Dome Dial	SC13
11	Nut	SC-18
12	Handle	RC-14
13	Soap Dish	HPO4854
14	Screws(2), Showeroff Dome	IH-4
15	Showeroff Dome	HP-01800
16	All Mounting Hardware (Bolts, Nuts, Wall Anchors, Washers)	KITHP

