

T&S BRASS AND BRONZE WORKS, INC.
 2 SADDLEBACK COVE / P.O. BOX 1088 / TRAVELERS REST, SC 29690
 PHONE 800-476-4103 - FAX 864- 834-3518



Sales No.

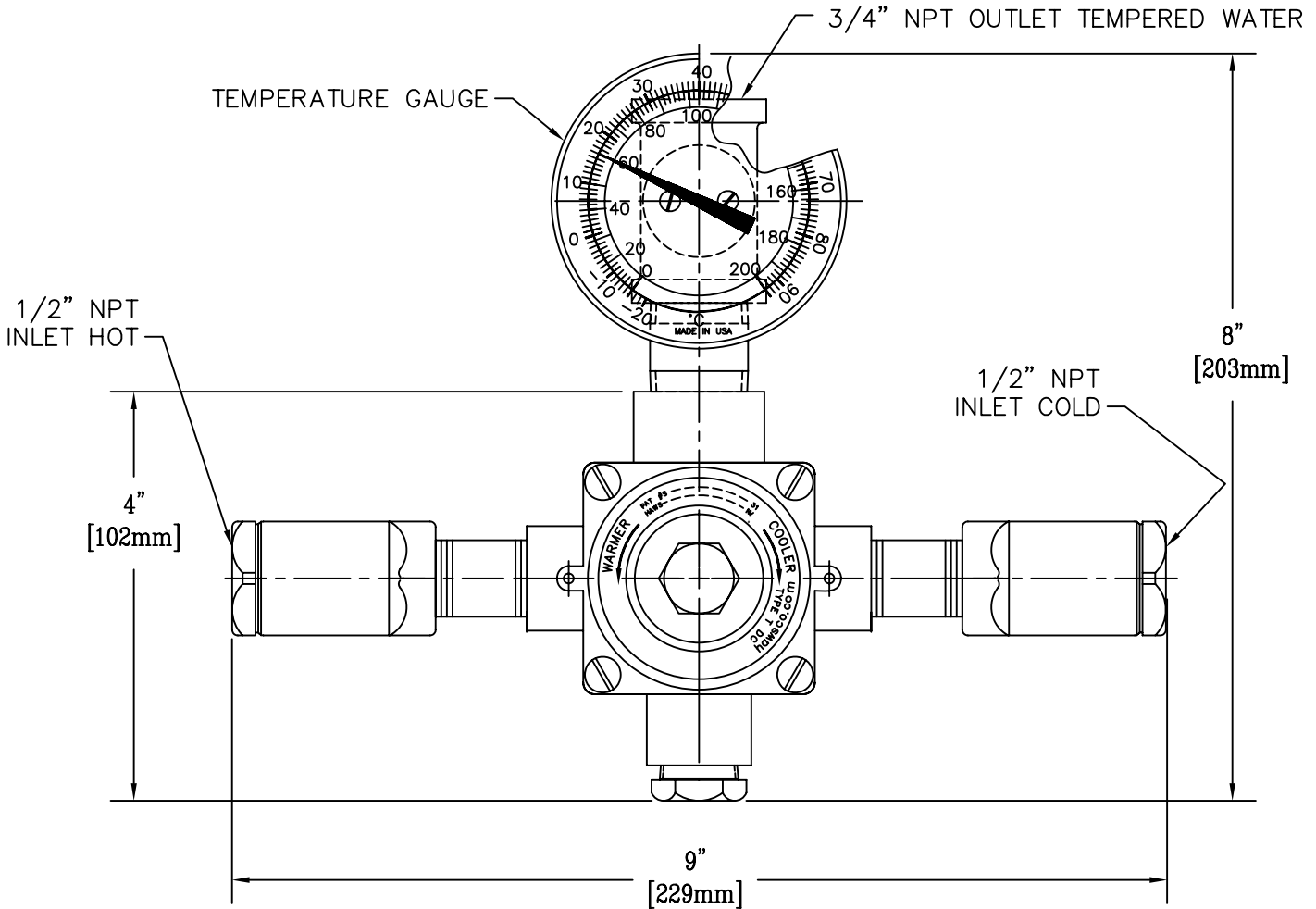
EW-9201EF

**RELIABILITY
 BUILT IN**

Job Name:

Architect/Engineer Approval:

Notes:



NOTES:

1. THERMOSTATIC MIXING VALVE TO SUPPLY TEMPERED WATER FROM 2 TO 7 GPM AT 30 PSI.
2. FACTORY OUTLET FLOW SET AT 85° F.
3. INLETS 1/2" NPT, OUTLET 3/4" NPT.

Product Description:

THERMOSTATIC MIXING VALVE

Drawn:

JRM

Checked

GEF

Scale:

NTS

Approved

JHB

Date:

10/23/09