



T&S BRASS AND BRONZE WORKS, INC.

2 SADDLEBACK COVE / P.O. BOX 1088 / TRAVELERS REST, SC 29690

PHONE 800-476-4103

FAX 864- 834-3518



REG.#A2601  
ISO #9002

Model No.

BL-4520-02

Item No.:

Job Name:

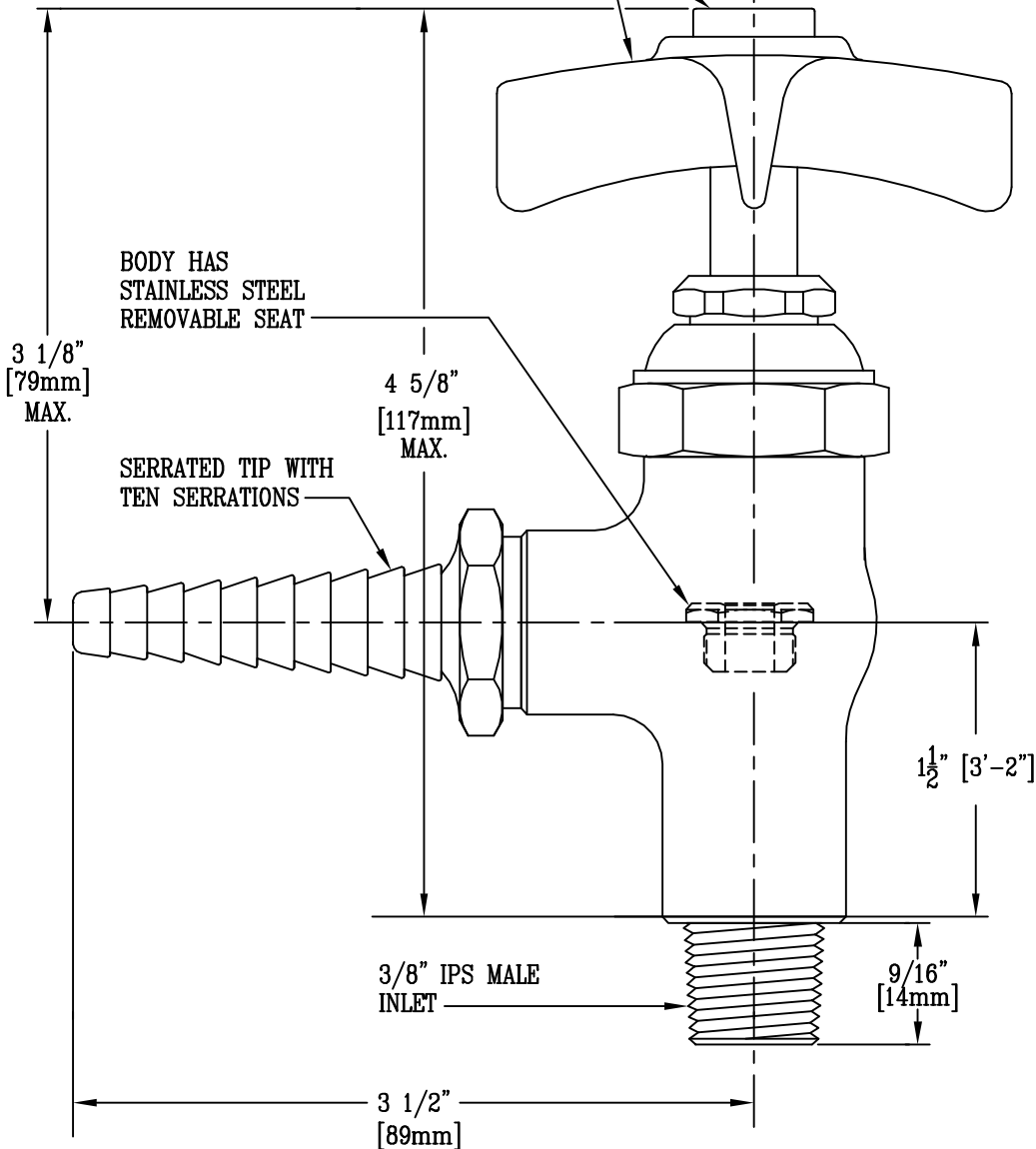
Architect/Engineer Approval:

Notes:



ADA COMPLIANT

FOUR ARM HANDLE  
WITH COLOR CODED  
INDEX ( "CW" )



Product Description:

ANGLE STOP WITH 3/8" IPS MALE  
INLET, SERRATED TIP,  
& COLOR CODED INDEX FOR WATER

Drawn:

WJS

Checked:

Approved

Scale:

1' = 1'

Date: