



T&S BRASS AND BRONZE WORKS, INC.

2 Saddleback Cove / P.O. Box 1088
Travelers Rest, SC 29690



REG. #A2601
ISO #9001

Model No.
BL-4260-01

Item No.

Travelers Rest, SC: 800-476-4103 Simi Valley, CA: 800-423-0150 Fax: 864-834-3518 www.tsbrass.com

This Space for Architect/Engineer Approval

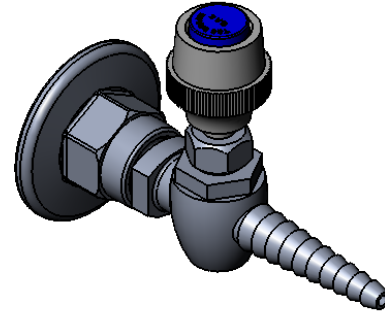
Job Name _____ Date _____

Model Specified _____ Quantity _____

Customer/Wholesaler _____

Contractor _____

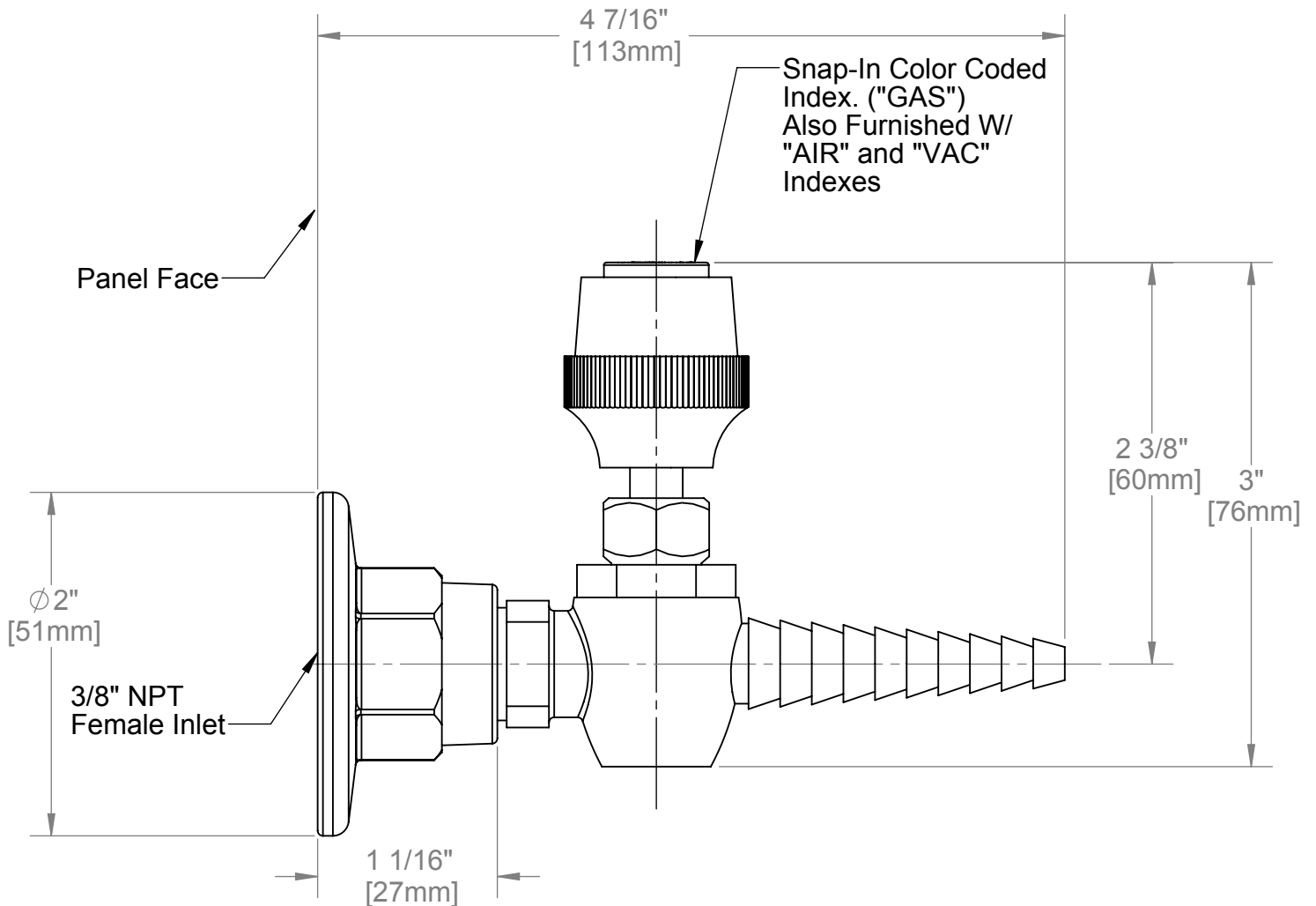
Architect/Engineer _____



Scale 1:2

Note :

1. Use For Pressures Above 0.5 PSIG
Not to Exceed 80 PSI
2. Must Use for Oxygen and Specialty Gases.



Product Specifications:

Laboratory Panel Flange w/
3/8" NPT Female Needle Hose Cock

Drawn
ARH

Checked
JRM

Approved
JHB

Scale:

1:1

Date:

9/19/07



T&S BRASS AND BRONZE WORKS, INC.

2 Saddleback Cove / P.O. Box 1088
Travelers Rest, SC 29690



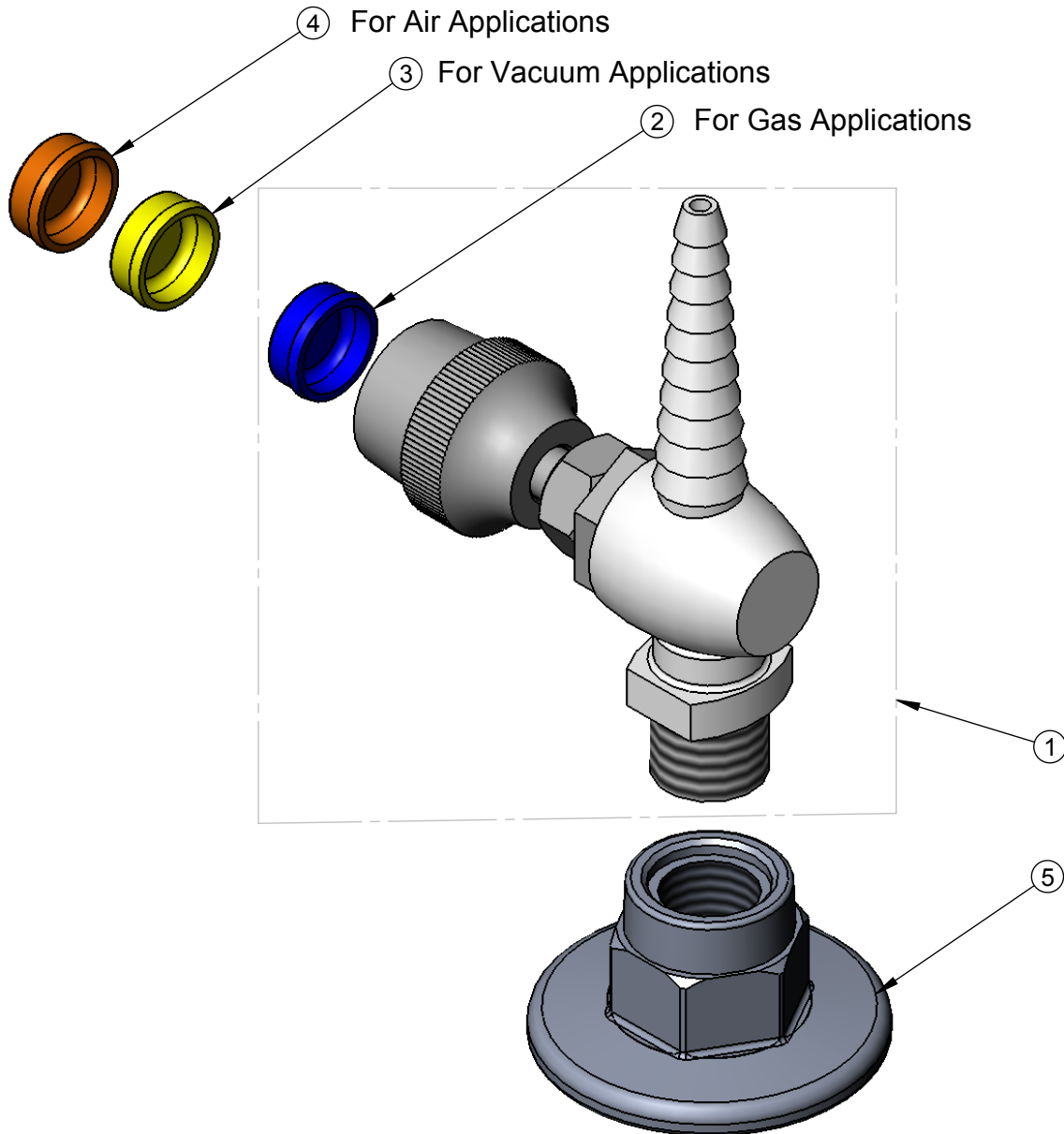
REG. #A2601
ISO #9001

Model No.
BL-4260-01

Item No.

Travelers Rest, SC: 800-476-4103 Simi Valley, CA: 800-423-0150 Fax: 864-834-3518 www.tsbrass.com

ITEM NO.	SALES NO.	DESCRIPTION
1	BL-4010-01	Assembly, Needle Hose Cock
2	001197-45	Cap, Index, Blue, Gas
3	001200-45	Cap, Index, Yellow, Vacuum
4	001203-45	Cap, Index, Orange, Air
5	000012-40	Flange, 3/8" NPT



Product Specifications:

Laboratory Panel Flange w/
3/8" NPT Female Needle Hose Cock

Drawn ARH	Checked JRM	Approved JHB
--------------	----------------	-----------------

Scale: 1:1	Date: 9/19/07
---------------	------------------