



**T&S BRASS AND BRONZE WORKS, INC.**

2 Saddleback Cove / P.O. Box 1088  
Travelers Rest, SC 29690



REG. #A2601  
ISO #9001

Model No.  
**BL-4250-01**

Item No.

Travelers Rest, SC: 800-476-4103 Simi Valley, CA: 800-423-0150 Fax: 864-834-3518 www.tsbrass.com

This Space for Architect/Engineer Approval

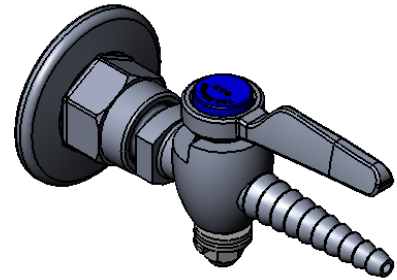
Job Name \_\_\_\_\_ Date \_\_\_\_\_

Model Specified \_\_\_\_\_ Quantity \_\_\_\_\_

Customer/Wholesaler \_\_\_\_\_

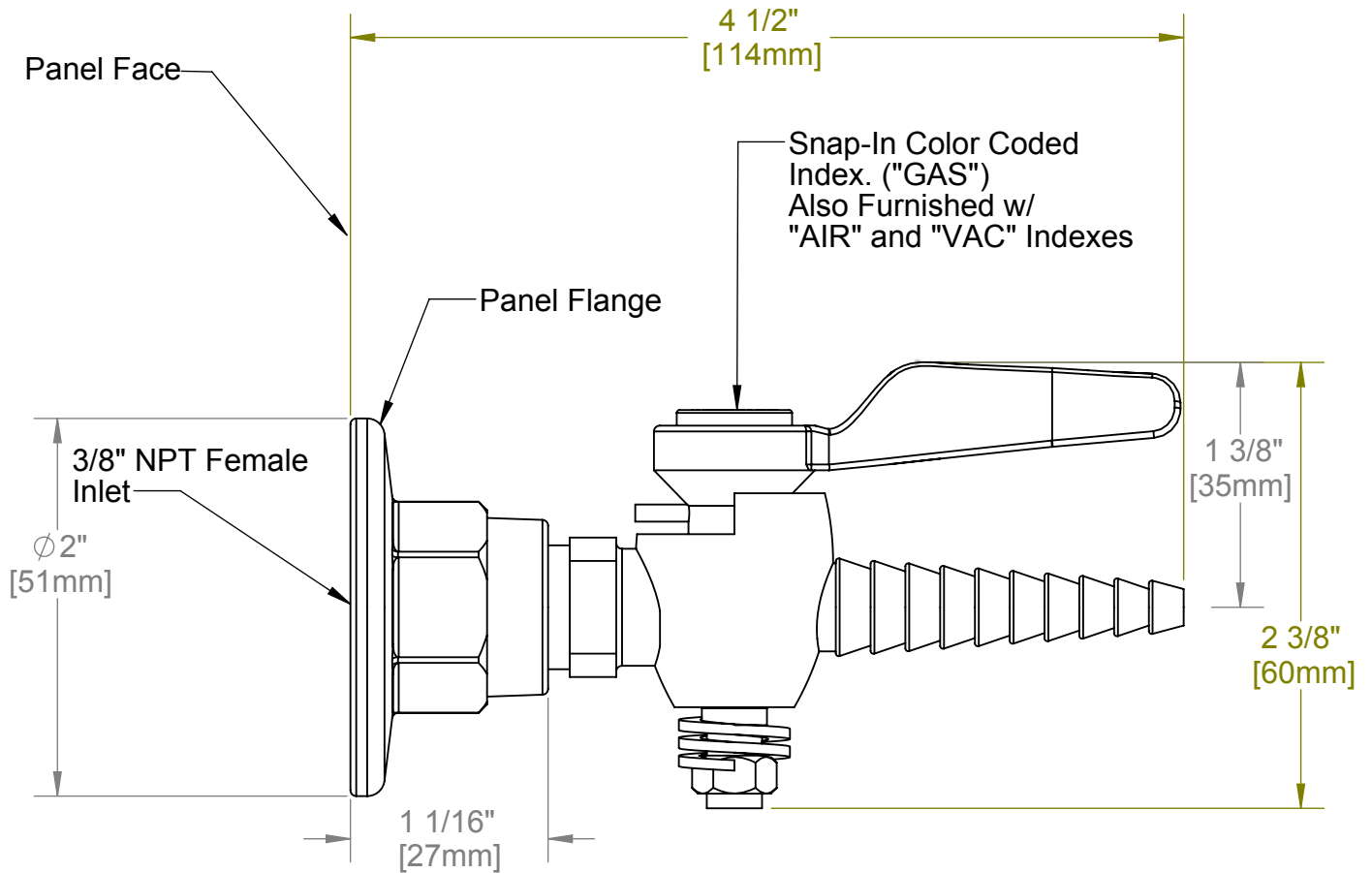
Contractor \_\_\_\_\_

Architect/Engineer \_\_\_\_\_



SCALE 1:2

Note:  
For Pressures Above 0.5 PSIG  
or Oxygen and Specialty Gases,  
Use BL-4010-01 Gas Cock



Product Specifications:  
**Laboratory Panel Flange W/  
3/8" NPT Female Hose Cock**

Drawn  
**ARH**

Checked  
**JRM**

Approved  
**JHB**

Scale:

1:1

Date:

9/19/07



**T&S BRASS AND BRONZE WORKS, INC.**

2 Saddleback Cove / P.O. Box 1088  
Travelers Rest, SC 29690



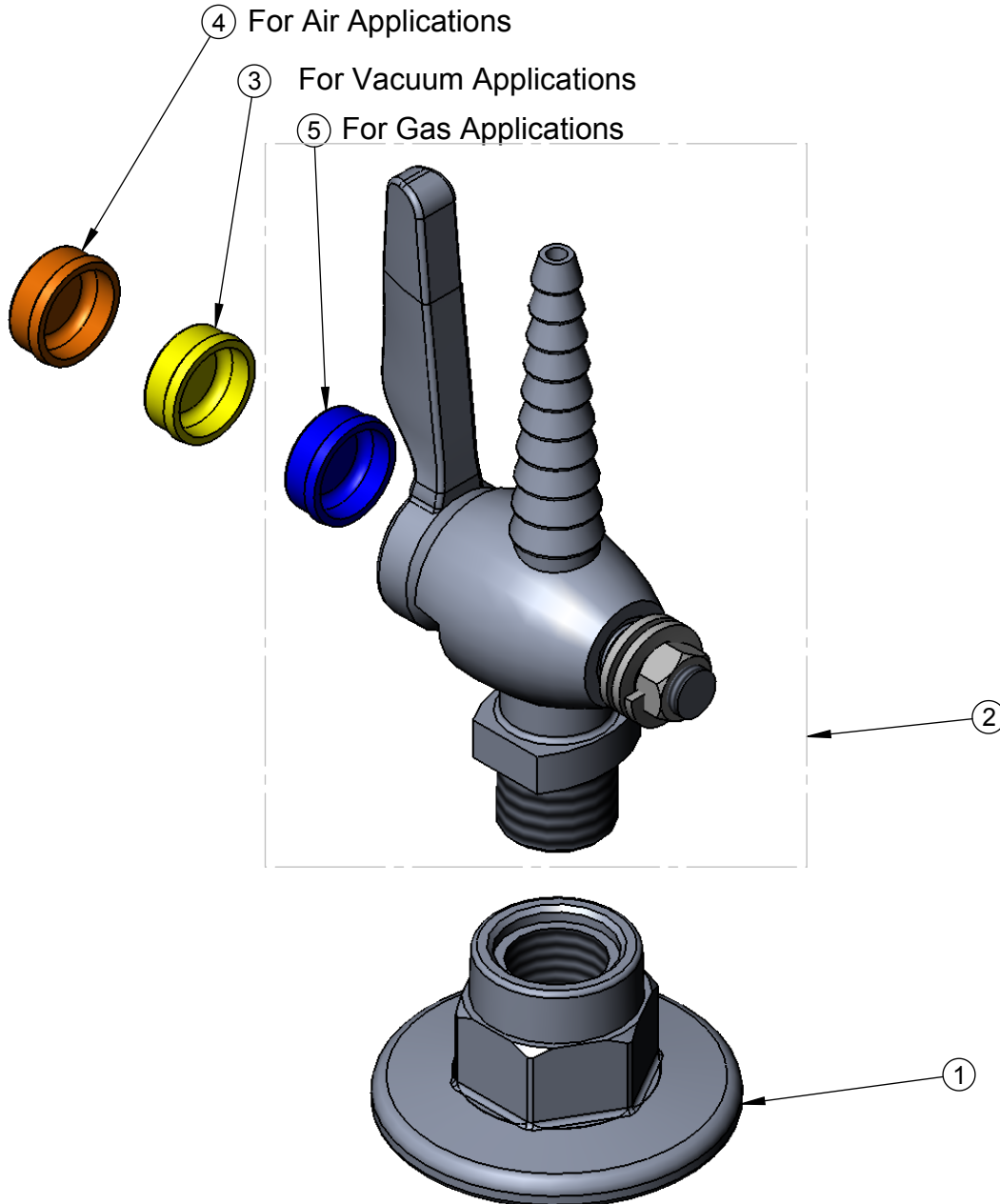
REG. #A2601  
ISO #9001

Model No.  
**BL-4250-01**

Item No.

Travelers Rest, SC: 800-476-4103 Simi Valley, CA: 800-423-0150 Fax: 864-834-3518 www.tsbrass.com

| ITEM NO. | SALES NUMBER | DESCRIPTION                |
|----------|--------------|----------------------------|
| 1        | 000012-40    | Flange, 3/8" NPT           |
| 2        | BL-4000-01   | Cock Assembly, Ground Key  |
| 3        | 001200-45    | Cap, Index, Yellow, Vacuum |
| 4        | 001203-45    | Cap, Index, Orange, Air    |
| 5        | 001197-45    | Cap, Index, Blue, Gas      |



Product Specifications:

Laboratory Panel Flange W/  
3/8" NPT Female Hose Cock

|              |                |                 |
|--------------|----------------|-----------------|
| Drawn<br>ARH | Checked<br>JRM | Approved<br>JHB |
|--------------|----------------|-----------------|

|               |                  |
|---------------|------------------|
| Scale:<br>1:1 | Date:<br>9/19/07 |
|---------------|------------------|