



T&S BRASS AND BRONZE WORKS, INC.

2 Saddleback Cove / P.O. Box 1088
Travelers Rest, SC 29690



REG. #A2601
ISO #9001

Model No.

B-3952

Item No.

Travelers Rest, SC: 800-476-4103 Simi Valley, CA: 800-423-0150 Fax: 864-834-3518 www.tsbrass.com

This Space for Architect/Engineer Approval

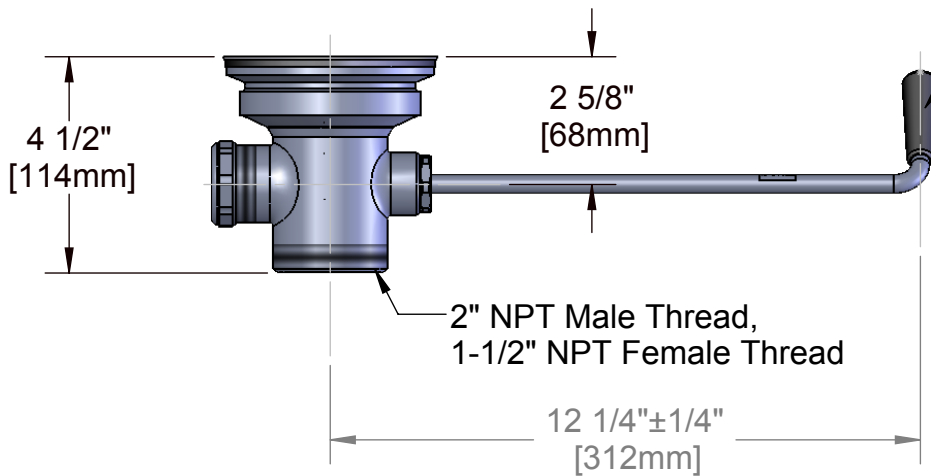
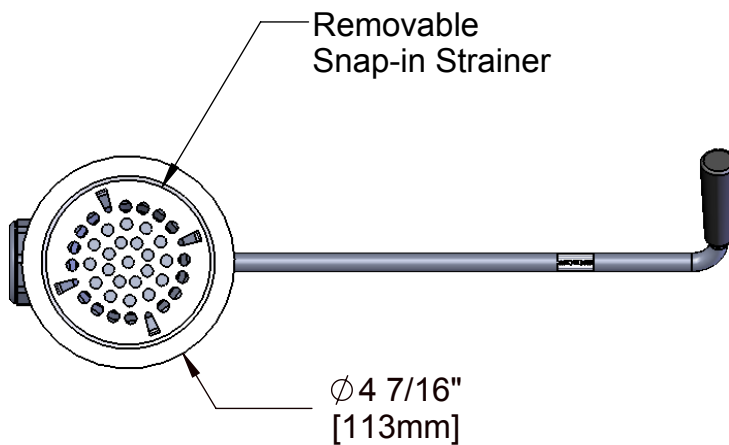
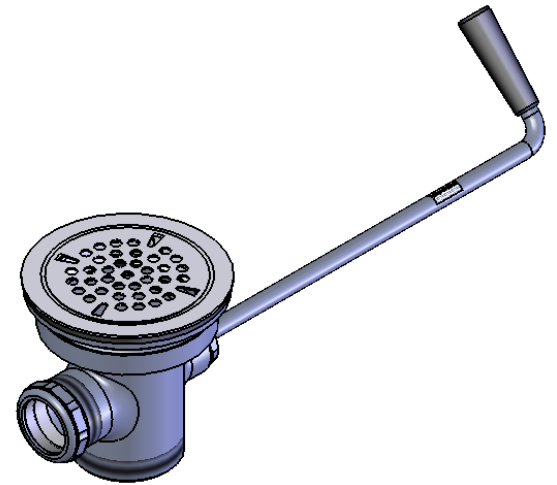
Job Name _____ Date _____

Model Specified _____ Quantity _____

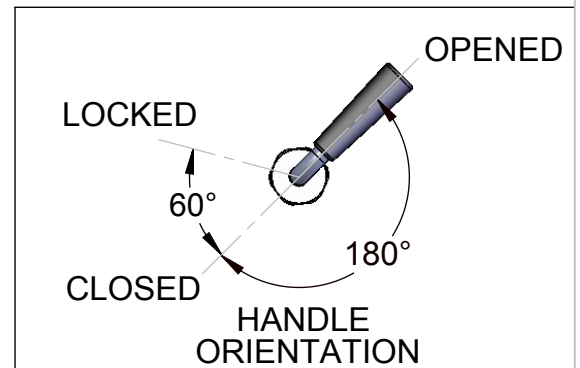
Customer/Wholesaler _____

Contractor _____

Architect/Engineer _____



Twist Handle w/
Heat Resistant
Plastic Grip (Shown
in Open Position)



Product Specifications:

Rotary Waste Valve w/ Twist Handle, 3 1/2" Sink Opening, 2" NPT Male / 1-1/2" NPT Female Outlet

Drawn DHL	Checked JRM	Approved JHB
Scale: 1:4	Date: 3/19/07	



T&S BRASS AND BRONZE WORKS, INC.

2 Saddleback Cove / P.O. Box 1088
Travelers Rest, SC 29690



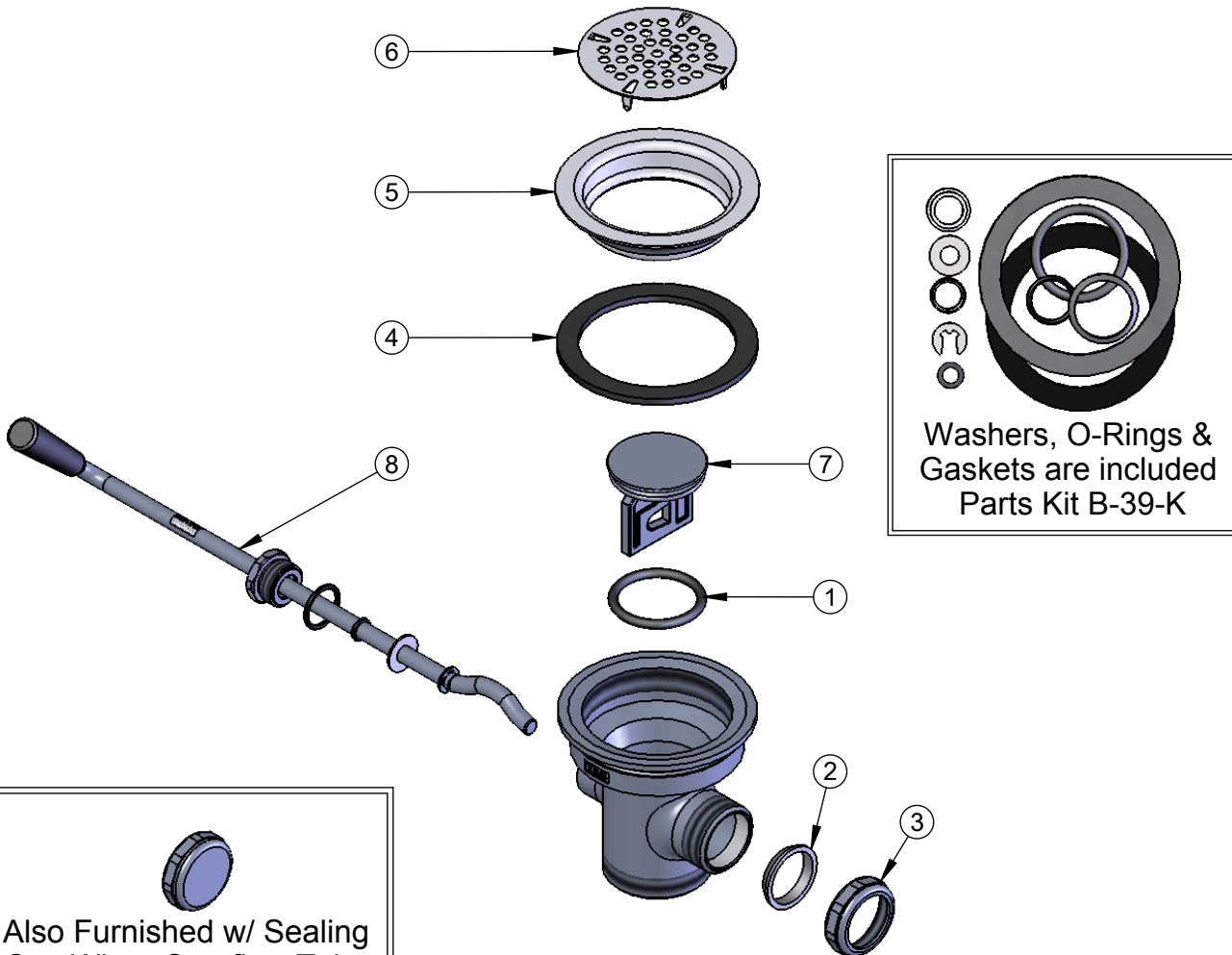
REG. #A2601
ISO #9001

Model No.
B-3952

Item No.

Travelers Rest, SC: 800-476-4103 Simi Valley, CA: 800-423-0150 Fax: 864-834-3518 www.tsbrass.com

ITEM	SALE NO.	DESCRIPTION
1	010389-45	O-Ring, Plunger
2	010390-45	Ferrule, Coupling Nut
3	010391-45	Nut, Coupling For Twist Drain
4	010382-45	Gasket, 3 1/2" Face Flange
5	010384-45	Flange, 3 1/2" Face
6	010386-45	Strainer, 3 1/2" Snap-in Removable
7	010388-45	Plunger, Twist Drain
8	010393-45	Rod Assembly, Twist



Also Furnished w/ Sealing Cap When Overflow Tube Coupling Nut is Not Used.
PN# 012640-45

Product Specifications:

Rotary Waste Valve w/ Twist Handle, 3 1/2" Sink Opening, 2" NPT Male / 1-1/2" NPT Female Outlet

Drawn DHL	Checked JRM	Approved JHB
Scale: 1:4		Date: 3/19/07