



T&S BRASS AND BRONZE WORKS, INC.

2 Saddleback Cove / P.O. Box 1088
Travelers Rest, SC 29690



REG. #A2601
ISO #9001

Model No.
B-3204

Item No.

Travelers Rest, SC: 800-476-4103 Simi Valley, CA: 800-423-0150 Fax: 864-834-3518 www.tsbrass.com

This Space for Architect/Engineer Approval

Job Name _____ Date _____

Model Specified _____ Quantity _____

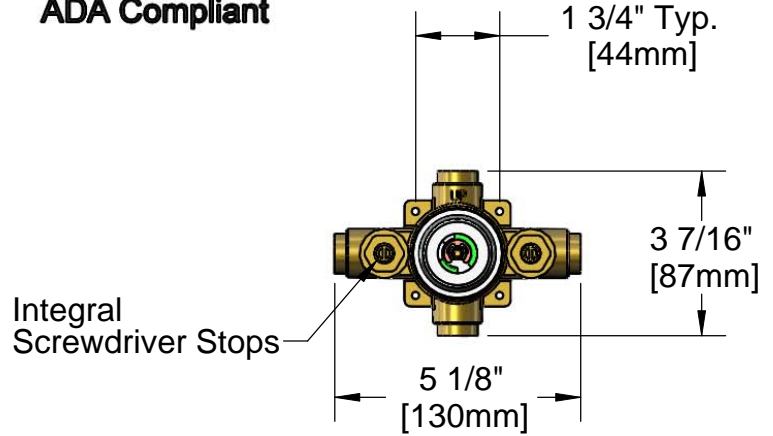
Customer/Wholesaler _____

Contractor _____

Architect/Engineer _____



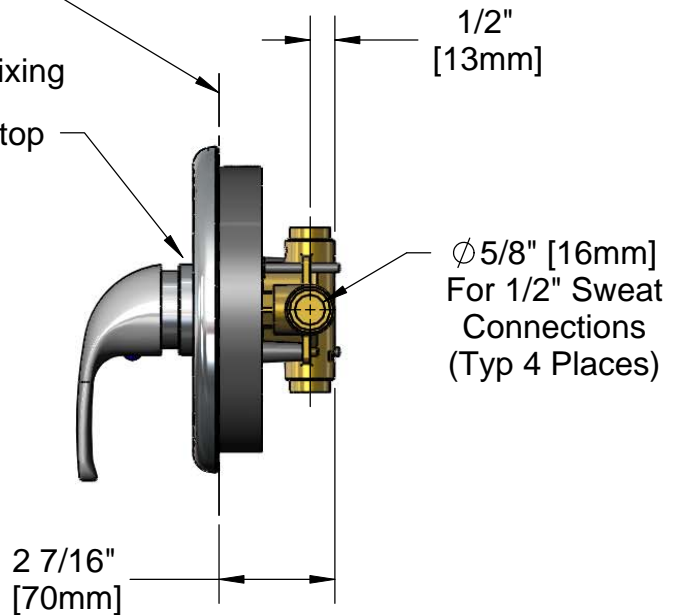
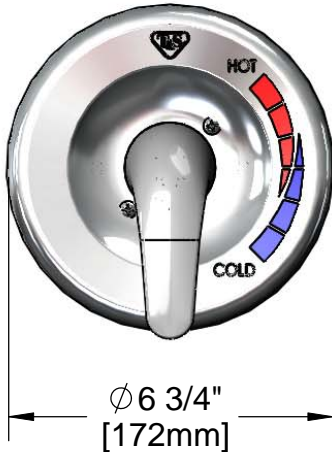
ADA Compliant



Mixing Valve Detail

Finished Wall Exterior

Pressure Balance Mixing Valve w/ Adjustable Temperature Limit Stop



Product Specifications:

Pressure Balance Shower Valve (ASSE 1016) w/ Adjustable Temperature Limit Stop & Cover Plate Assembly, 1/2" Sweat Connections

Drawn DMH	Checked GEF	Approved JHB
Scale: NTS		Date: 08/20/10



T&S BRASS AND BRONZE WORKS, INC.

2 Saddleback Cove / P.O. Box 1088
Travelers Rest, SC 29690



REG. #A2601
ISO #9001

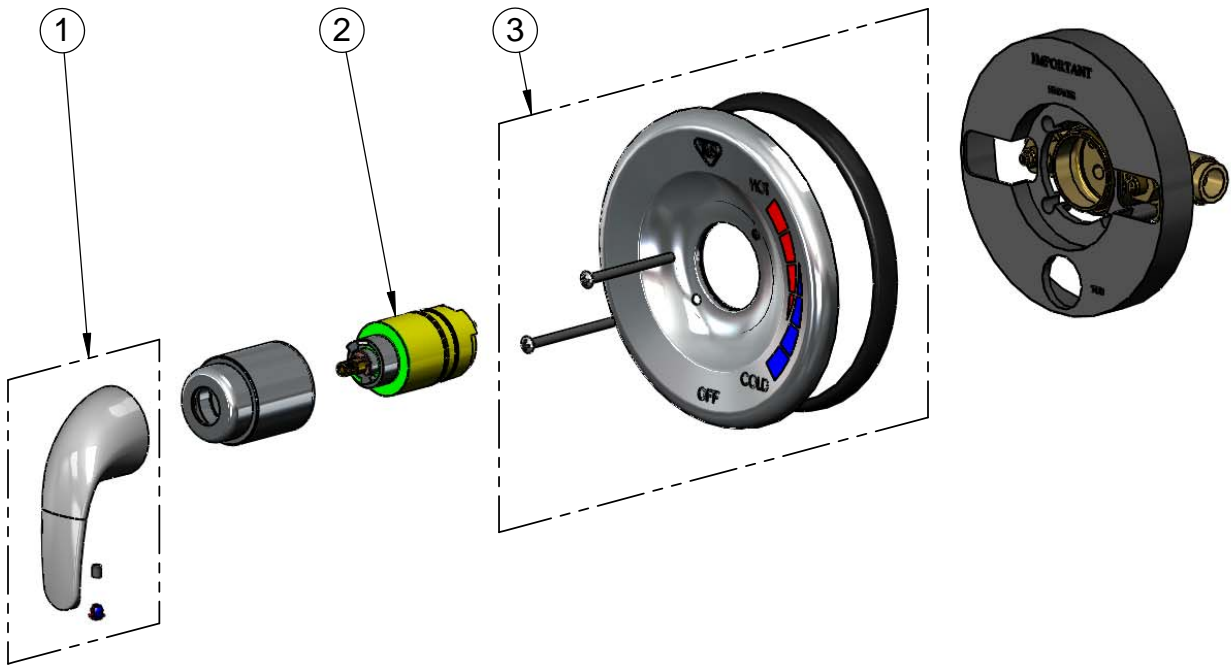
Model No.

B-3204

Item No.

Travelers Rest, SC: 800-476-4103 Simi Valley, CA: 800-423-0150 Fax: 864-834-3518 www.tsbrass.com

ITEM NO.	SALES NO.	DESCRIPTION
1	017443-45	Handle w/ Set Screw & Temp. Index
2	017441-45	PBV Cartridge Assembly
3	017444-45	PBV Cover Plate Assembly



Product Specifications:

Pressure Balance Shower Valve (ASSE 1016) w/ Adjustable Temperature Limit Stop & Cover Plate Assembly, 1/2" Sweat Connections

Drawn

DMH

Scale:

NTS

Checked

GEF

Approved

JHB

Date:

08/20/10