



**T&S BRASS AND BRONZE WORKS, INC.**

2 Saddleback Cove / P.O. Box 1088  
Travelers Rest, SC 29690



REG. #A2601  
ISO #9001

Model No.  
**B-3200**

Item No.

Travelers Rest, SC: 800-476-4103 Simi Valley, CA: 800-423-0150 Fax: 864-834-3518 www.tsbrass.com

This Space for Architect/Engineer Approval

Job Name \_\_\_\_\_ Date \_\_\_\_\_

Model Specified \_\_\_\_\_ Quantity \_\_\_\_\_

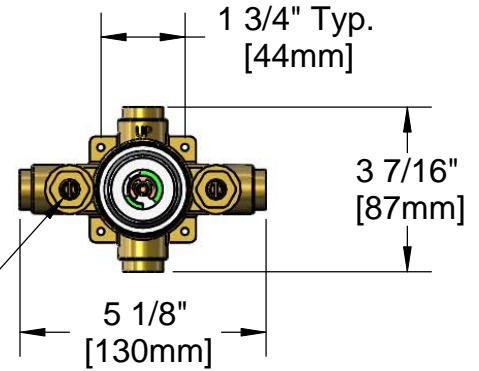
Customer/Wholesaler \_\_\_\_\_

Contractor \_\_\_\_\_

Architect/Engineer \_\_\_\_\_



Integral  
Screwdriver Stops



Mixing Valve Detail

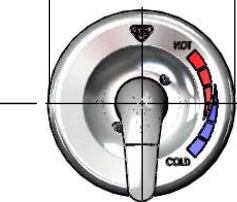
2.5 GPM Shower Head  
w/ Adjustable Spray

Ø 2 3/8"  
[60mm]



Per  
Installation

Ø 6 3/4"  
[171mm]



18" Max.  
[457mm]

Ø 2 1/4"  
[57mm]

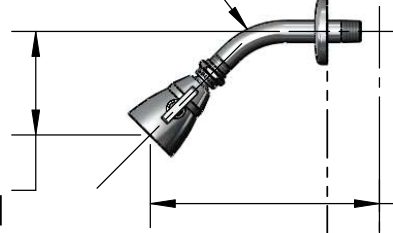


Tub Spout w/ Diverter,  
1/2" NPT Female Inlet

Finished Wall Exterior

1/2" Male NPT Shower Arm

3 3/4"  
[96mm]



8 3/8"  
[212mm]

Pressure Balance Mixing  
Valve w/ Adjustable  
Temperature Limit Stop



Ø 5/8" [16mm]  
for 1/2" Sweat  
Connection  
(Typ 4 Places)

1/2"  
[13mm]

2 7/16"  
[70mm]

4 7/16"  
[113mm]

Product Specifications:

Pressure Balance Shower Valve (ASSE 1016) w/ Adjustable Temperature Limit Stop, Cover Plate Assembly & 1/2" Sweat Connections; 2.5 GPM Shower Head w/ Shower Arm & Escutcheon; & Tub Spout w/ Diverter

Drawn <b>DMH</b>	Checked <b>GEF</b>	Approved <b>JHB</b>
Scale: <b>NTS</b>		Date: <b>08/20/10</b>



**T&S BRASS AND BRONZE WORKS, INC.**

2 Saddleback Cove / P.O. Box 1088  
Travelers Rest, SC 29690



REG. #A2601  
ISO #9001

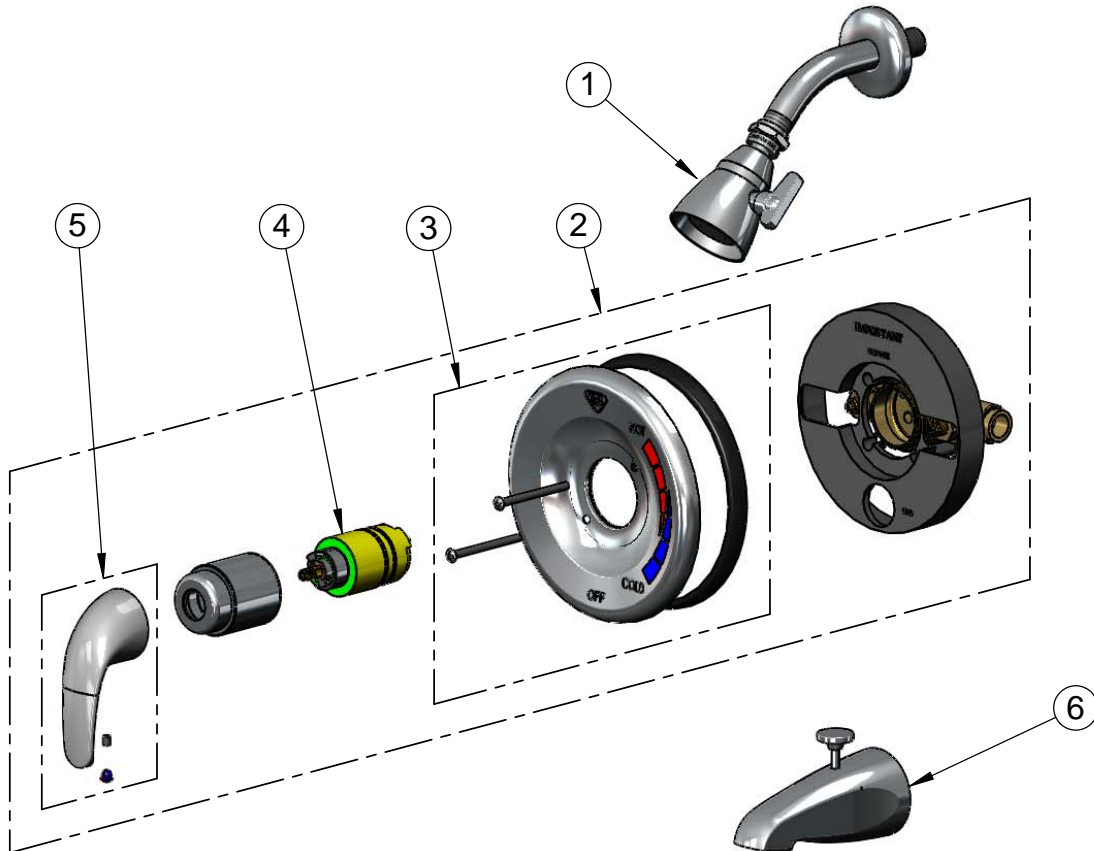
Model No.

**B-3200**

Item No.

Travelers Rest, SC: 800-476-4103 Simi Valley, CA: 800-423-0150 Fax: 864-834-3518 www.tsbrass.com

ITEM NO.	SALES NO.	DESCRIPTION
1	017442-45	Shower Head w/ Arm & Escutcheon
2	B-3204	Pressure Balance Shower Valve
3	017444-45	PBV Cover Plate Assembly
4	017441-45	PBV Cartridge Assembly
5	017443-45	Handle w/ Set Screw & Temp. Index
6	017439-45	Tub Spout w/ Diverter



Product Specifications:

Pressure Balance Shower Valve (ASSE 1016) w/ Adjustable Temperature Limit Stop, Cover Plate Assembly & 1/2" Sweat Connections; 2.5 GPM Shower Head w/ Shower Arm & Escutcheon; & Tub Spout w/ Diverter

Drawn	Checked	Approved
DMH	GEF	JHB
Scale:		Date:
NTS		08/20/10