



T&S BRASS AND BRONZE WORKS, INC.

2 Saddleback Cove / P.O. Box 1088
Travelers Rest, SC 29690



REG. #A2601
ISO #9001

Model No.

B-1029-PA

Item No.

Travelers Rest, SC: 800-476-4103 Simi Valley, CA: 800-423-0150 Fax: 864-834-3518 www.tsbrass.com

This Space for Architect/Engineer Approval

Job Name _____ Date _____

Model Specified _____ Quantity _____

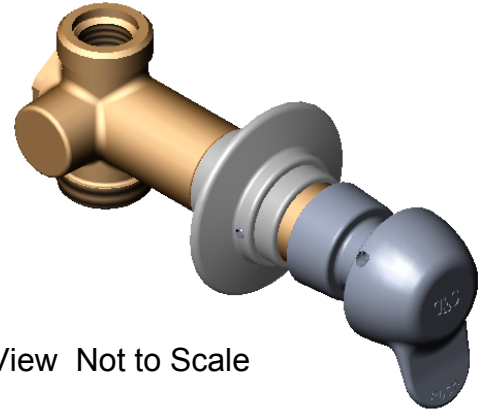
Customer/Wholesaler _____

Contractor _____

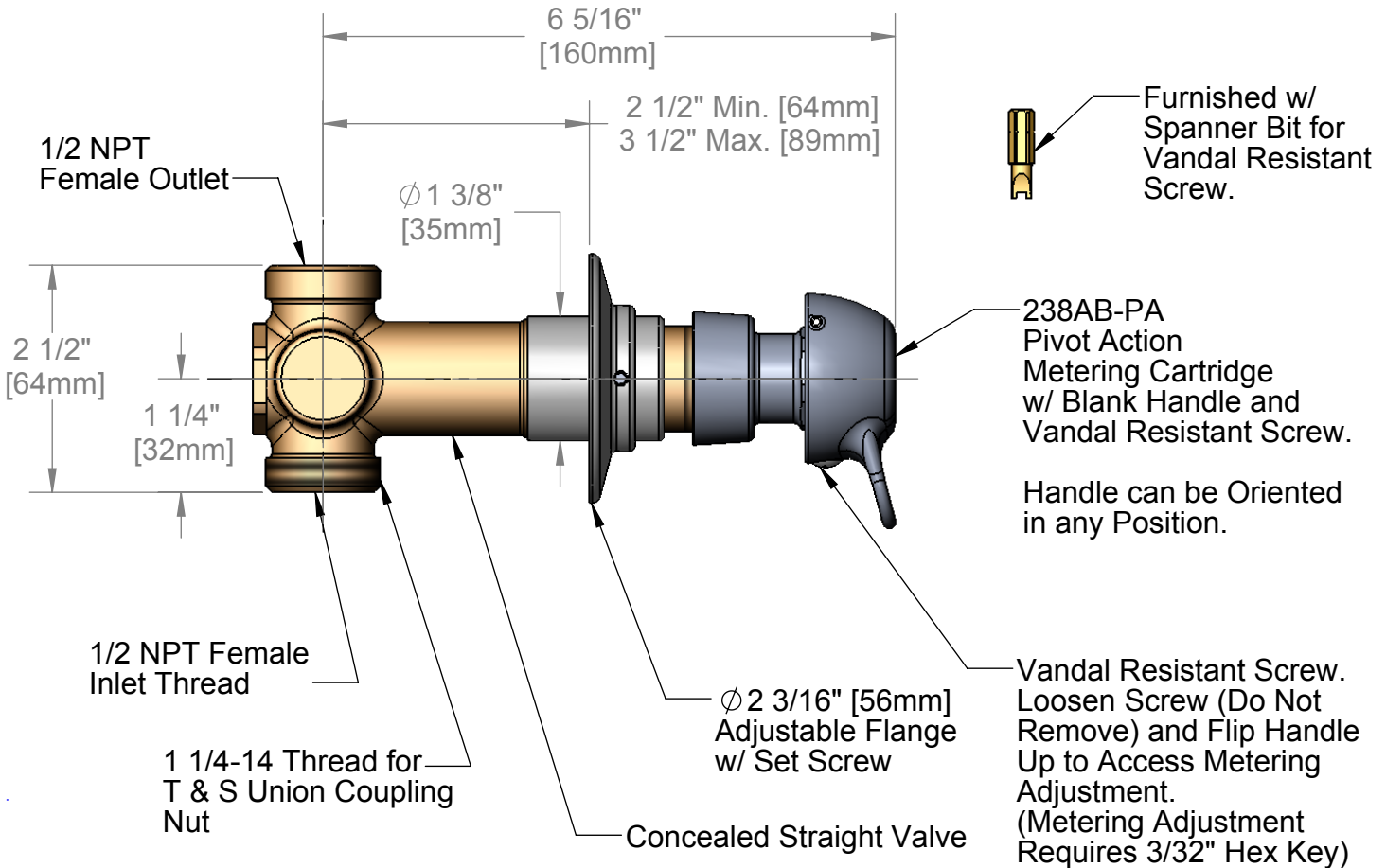
Architect/Engineer _____



ADA Compliant



View Not to Scale



Rough-In: Ø 1 1/2" Hole

Product Specifications:

**Concealed Straightway Slow Self-Closing Valve
w/ Pivot Action Metering Cartridge**

Drawn
GEF

Checked
ARH

Approved
JHB

Scale:

1:2

Date:

01/23/08



T&S BRASS AND BRONZE WORKS, INC.

2 Saddleback Cove / P.O. Box 1088
Travelers Rest, SC 29690



REG. #A2601
ISO #9001

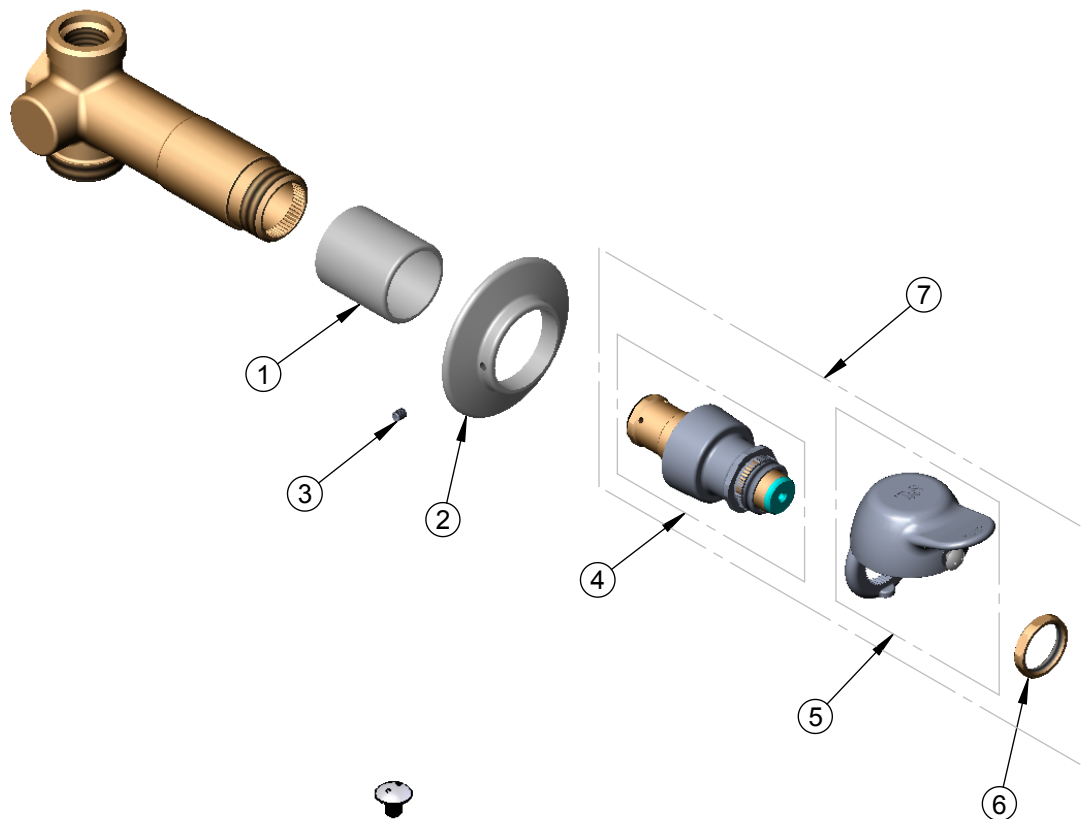
Model No.

B-1029-PA

Item No.

Travelers Rest, SC: 800-476-4103 Simi Valley, CA: 800-423-0150 Fax: 864-834-3518 www.tsbrass.com

ITEM NO.	SALES NO.	DESCRIPTION
1	151F	Escutcheon Tube
2	001501-40	Escutcheon
3	150F	Escutcheon Set Screw
4	238A-PA	Pivot Action Metering Cartridge w/ Retaining nut
5	PA-B	Blank Pivot Action Handle Assembly w/ Retaining Nut and Spanner Bit
6	PA-N	Retaining Nut
7	238AB-PA	Pivot Action Metering Cartridge w/ Blank Pivot Action Handle, Retaining Nut and Spanner Bit



Spanner Bit for
Vandal Resistant Screw
014734-45



Pivot Action Handle
Vandal Resistant Screw
016654-45

Product Specifications:

**Concealed Straightway Slow Self-Closing Valve
w/ Pivot Action Metering Cartridge**

Drawn
GEF

Checked
ARH

Approved
JHB

Scale:
NTS

Date:
01/23/08