



T&S BRASS AND BRONZE WORKS, INC.
 2 SADDLEBACK COVE / P.O. BOX 1088 / TRAVELERS REST, SC 29690
 PHONE 800-476-4103 FAX 864-834-3518



Model No.

B-1025

Item No.:

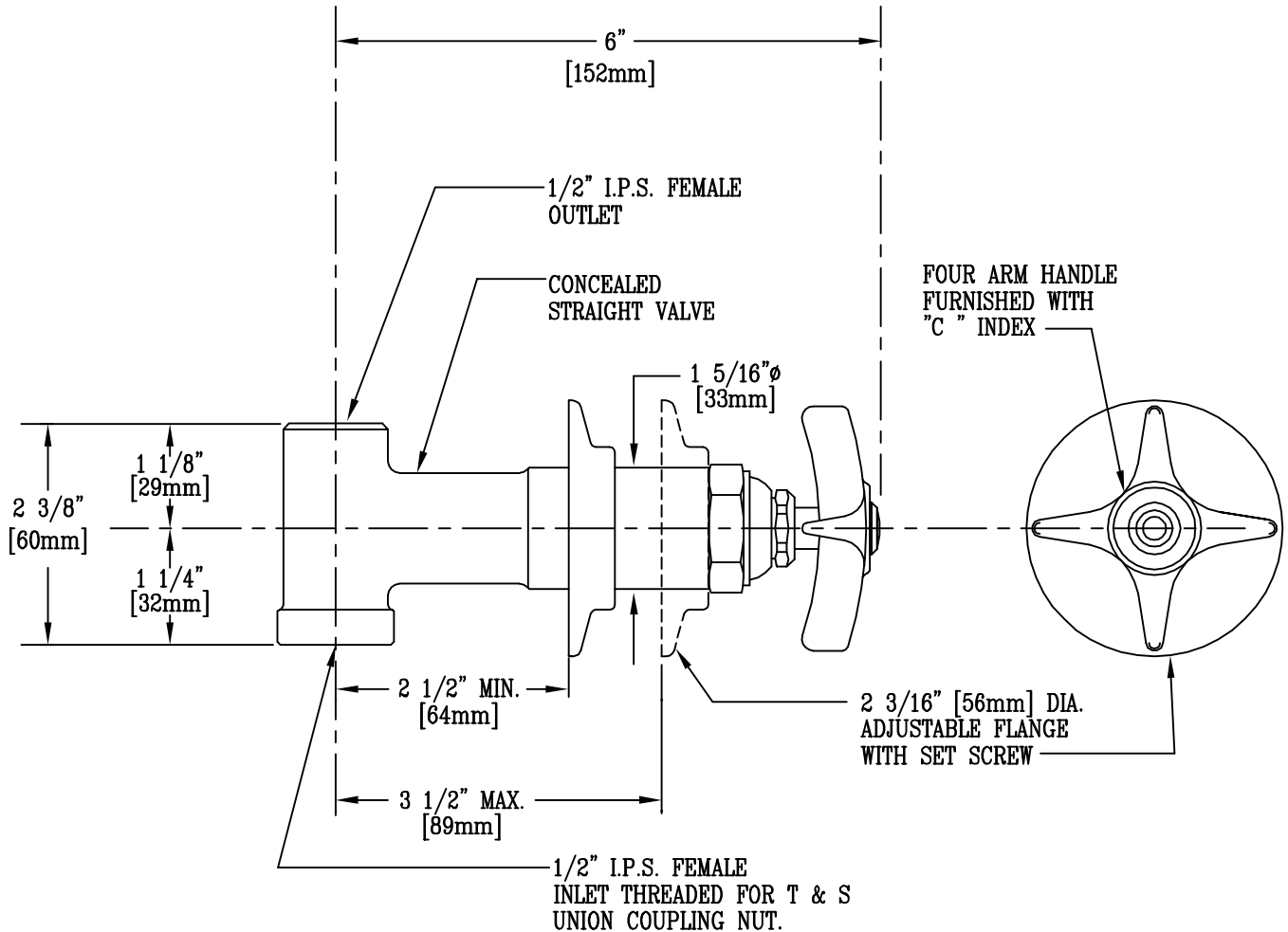
Job Name:

Architect/Engineer Approval:

Notes:



ADA COMPLIANT



Product Description:
 CONCEALED STRAIGHT VALVE WITH 1/2"
 NPT INLET & OUTLET, AND
 FOUR ARM HANDLE WITH "C" INDEX.

Drawn:

WJS

Checked

SCM

Scale:

6" = 1"

Approved

CA

Date:

8/21/95