



T&S BRASS AND BRONZE WORKS, INC.  
 2 SADDLEBACK COVE / P.O. BOX 1088 / TRAVELERS REST, SC 29690  
 PHONE 800-476-4103 FAX 864- 834-3518



Model No.

B-0155-CR-LN

Item No.:

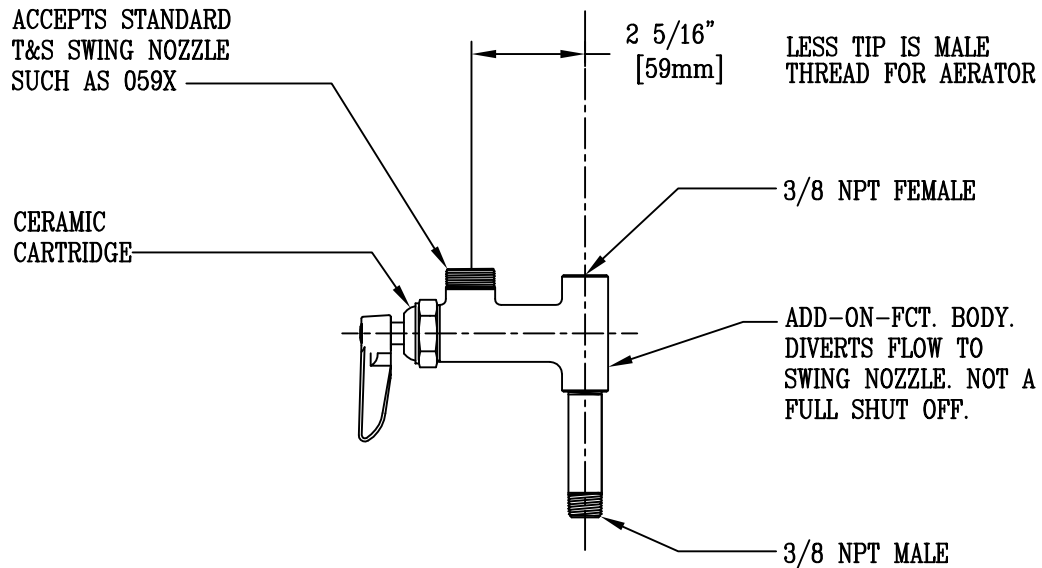
Job Name:

Architect/Engineer Approval:

Notes:



ADA COMPLIANT



Product Description:

ADD-ON FAUCET w/ CERAMIC CARTRIDGE, LESS NOZZLE

Drawn:

WJS

Checked

JRM

Scale:

1 : 4

Approved

JHB

Date:

03/10/06