



T&S BRASS AND BRONZE WORKS, INC.

2 Saddleback Cove / P.O. Box 1088
Travelers Rest, SC 29690



REG. #A2601
ISO #9001

Model No.

B-0107-C

Item No.

Travelers Rest, SC: 800-476-4103 Simi Valley, CA: 800-423-0150 Fax: 864-834-3518 www.tsbrass.com

This Space for Architect/Engineer Approval

Job Name _____ Date _____

Model Specified _____ Quantity _____

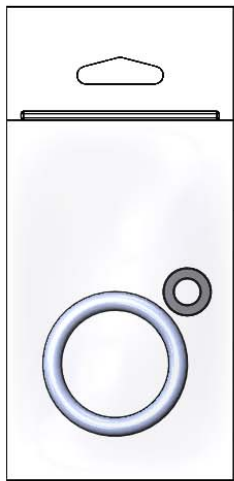
Customer/Wholesaler _____

Contractor _____

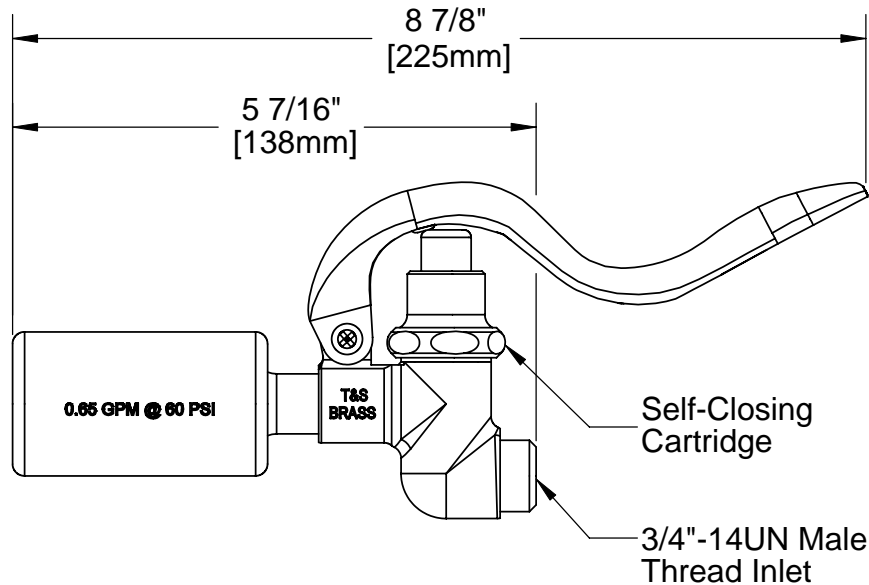
Architect/Engineer _____



EPAct 2005 Compliant



Furnished w/ Hose Washer
& Hold Down Ring



Product Specifications:

Self-Closing Pre-Rinse Spray Valve w/ 0.65 GPM Spray Nozzle

Drawn
JRM

Checked
DMH

Approved
JHB

Scale:

NTS

Date:

08/27/09



T&S BRASS AND BRONZE WORKS, INC.

2 Saddleback Cove / P.O. Box 1088
Travelers Rest, SC 29690



REG. #A2601
ISO #9001

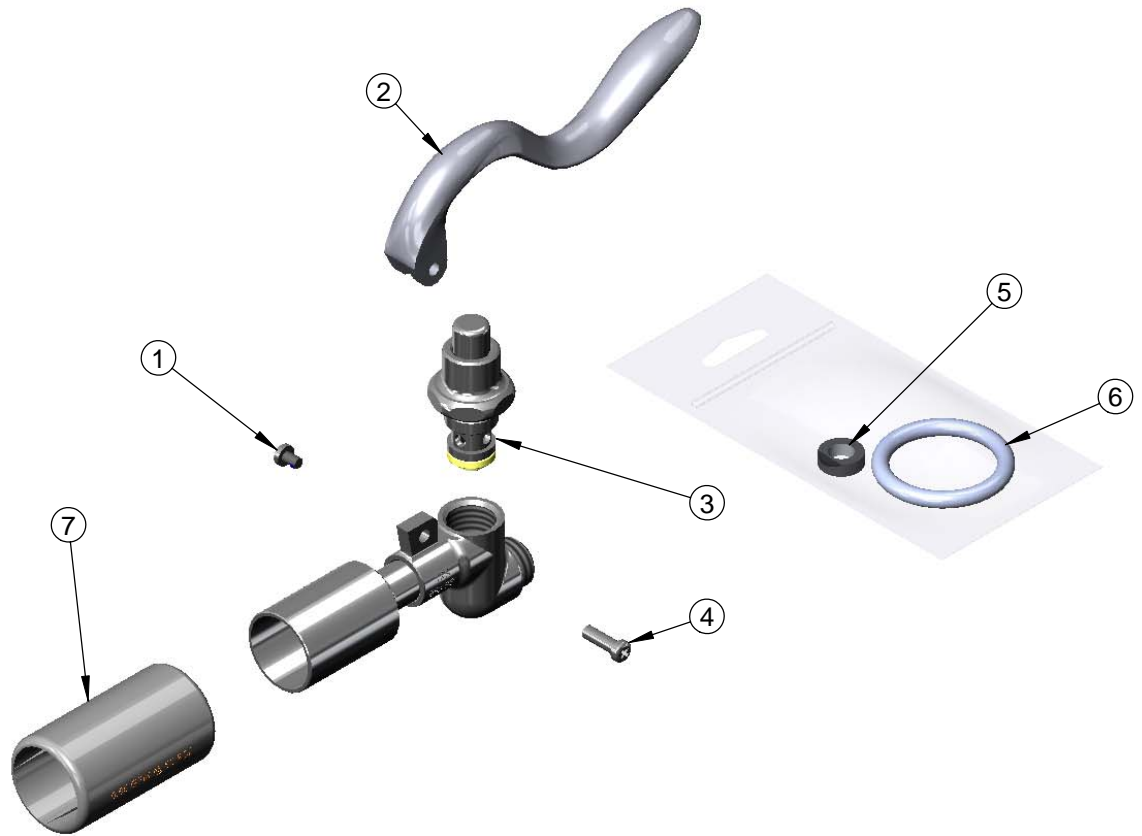
Model No.

B-0107-C

Item No.

Travelers Rest, SC: 800-476-4103 Simi Valley, CA: 800-423-0150 Fax: 864-834-3518 www.tsbrass.com

| ITEM NO. | SALES NO. | DESCRIPTION |
|----------|-----------|-----------------------------|
| 1 | 003199-45 | Handle Screw, Spray Valve |
| 2 | 001120-45 | Spray Valve Handle |
| 3 | 002856-40 | Bonnet Asm, Spray Valve |
| 4 | 003198-45 | Handle Nut, Spray Valve |
| 5 | 010476-45 | #27 Washer |
| 6 | 000907-45 | Ring, Spray Valve Hold Down |
| 7 | 002659-45 | Shield, Low Flow 0.65 GPM |



Product Specifications:

Self-Closing Pre-Rinse Spray Valve w/ 0.65 GPM Spray Nozzle

Drawn
JRM

Checked
DMH

Approved
JHB

Scale:
NTS

Date:
08/27/09