



# T&S BRASS AND BRONZE WORKS, INC.

2 Saddleback Cove / P.O. Box 1088  
Travelers Rest, SC 29690



REG. #A2601  
ISO #9001

Model No.

**B-0102**

Item No.

Travelers Rest, SC: 800-476-4103 Simi Valley, CA: 800-423-0150 Fax: 864-834-3518 www.tsbrass.com

This Space for Architect/Engineer Approval

Job Name \_\_\_\_\_ Date \_\_\_\_\_

Model Specified \_\_\_\_\_ Quantity \_\_\_\_\_

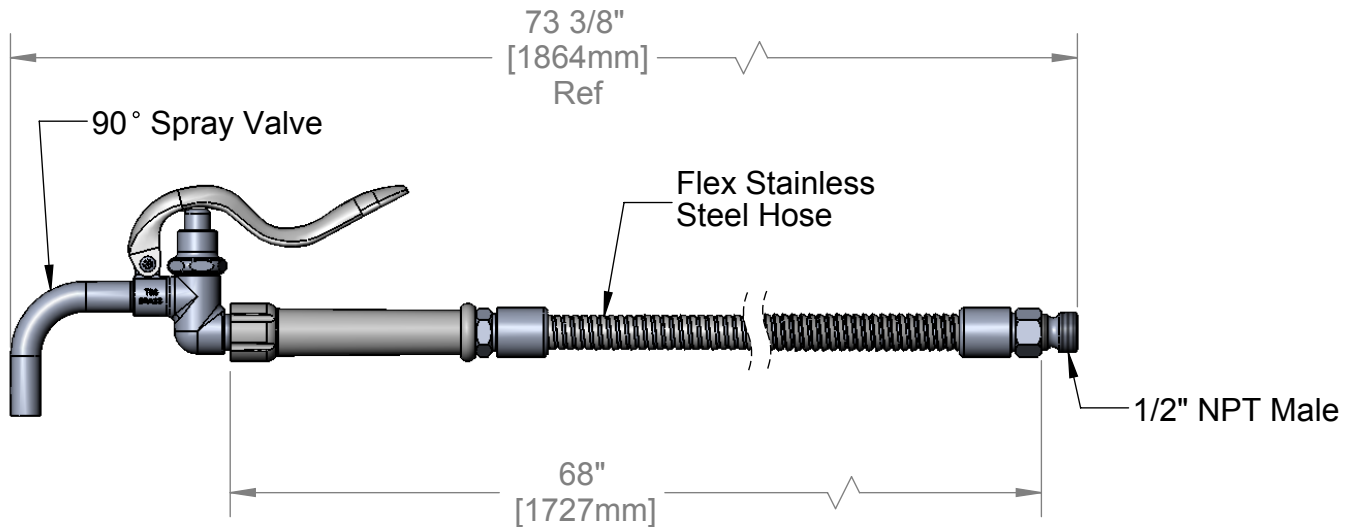
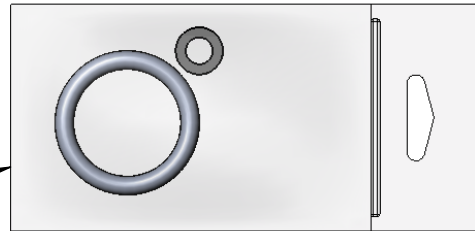
Customer/Wholesaler \_\_\_\_\_

Contractor \_\_\_\_\_

Architect/Engineer \_\_\_\_\_

**EPAct2005 NON-COMPLIANT**

Hold Down Ring  
w/ Hose Washer



Note: Standard Flex Hose = 68" [1727mm]  
(Modified Lengths Available Upon Request)

Product Specifications:

Pot and Glass Filler Assembly:  
B-0068-H Flex Hose w/ 90° Spray Valve

Drawn  
KJG

Checked  
DHL

Approved  
JHB

Scale:

1:4

Date:

02/01/08



# T&S BRASS AND BRONZE WORKS, INC.

2 Saddleback Cove / P.O. Box 1088  
Travelers Rest, SC 29690



REG. #A2601  
ISO #9001

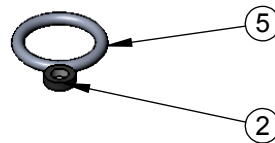
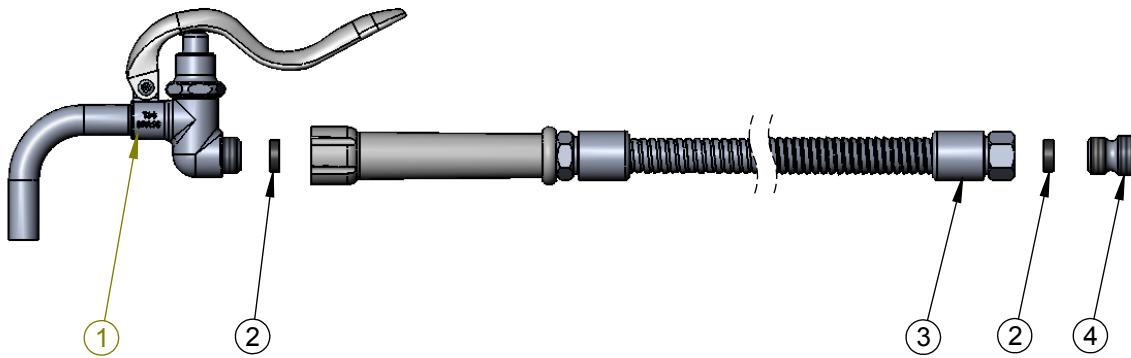
Model No.

**B-0102**

Item No.

Travelers Rest, SC: 800-476-4103 Simi Valley, CA: 800-423-0150 Fax: 864-834-3518 www.tsbrass.com

ITEM NO.	SALES NO.	DESCRIPTION
1	002866-40	Valve & Nozzle Assembly
2	010476-45	#27 Washer
3	B-0068-H	Flex Stainless Steel Hose
4	000547-25	Adapter
5	000907-45	Spray Valve Hold Down Ring



Product Specifications:

Pot and Glass Filler Assembly:  
B-0068-H Flex Hose w/ 90° Spray Valve

Drawn

KJG

Checked

DHL

Approved

JHB

Scale:

None

Date:

02/01/08