

T&S BRASS AND BRONZE WORKS, INC.
 2 SADDLEBACK COVE / P.O. BOX 1088 / TRAVELERS REST, SC 29690
 PHONE 800-476-4103 - FAX 864- 834-3518



Sales No.

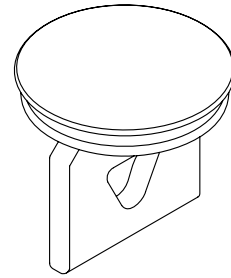
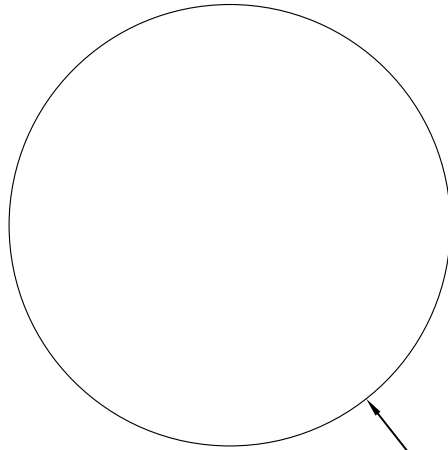
015405-45

RELIABILITY
BUILT IN

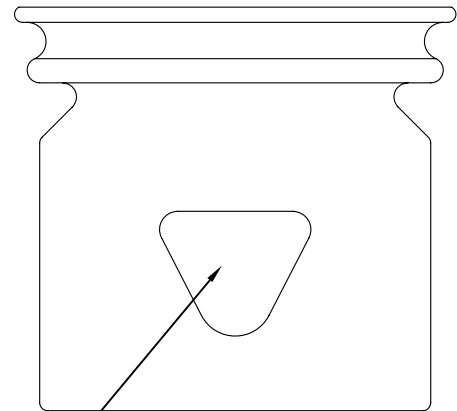
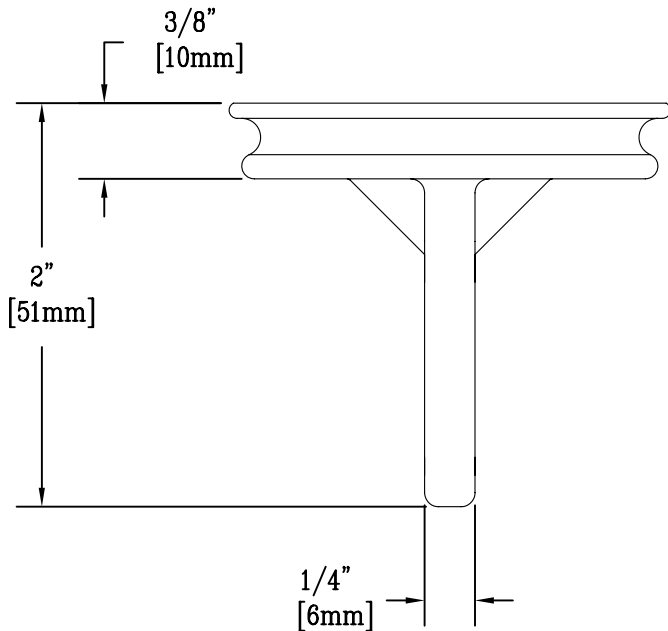
Job Name:

Architect/Engineer Approval:

Notes:



$\varnothing 2 \frac{3}{16}''$
[$\varnothing 56\text{mm}$]



Thru Hole

Product Description:

Lever Waste Drain Plunger

Drawn:

DHL

Approved

JHB

Checked

MAV

Scale:

1:1

Date:

08/29/08