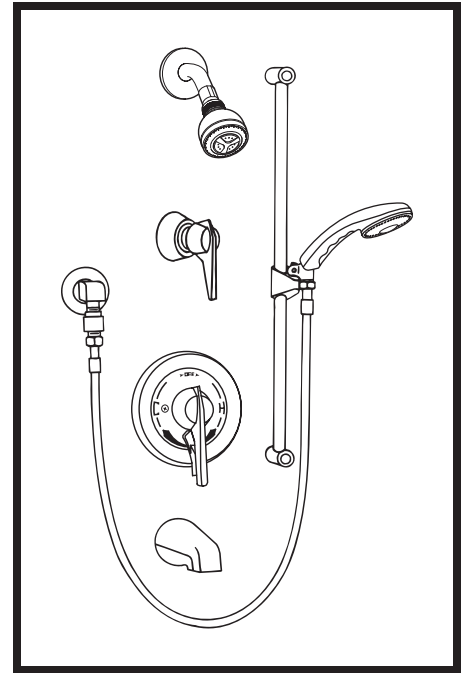


S-96-600-B30-L-V Temptrol® Tub and Shower System with Hand Spray

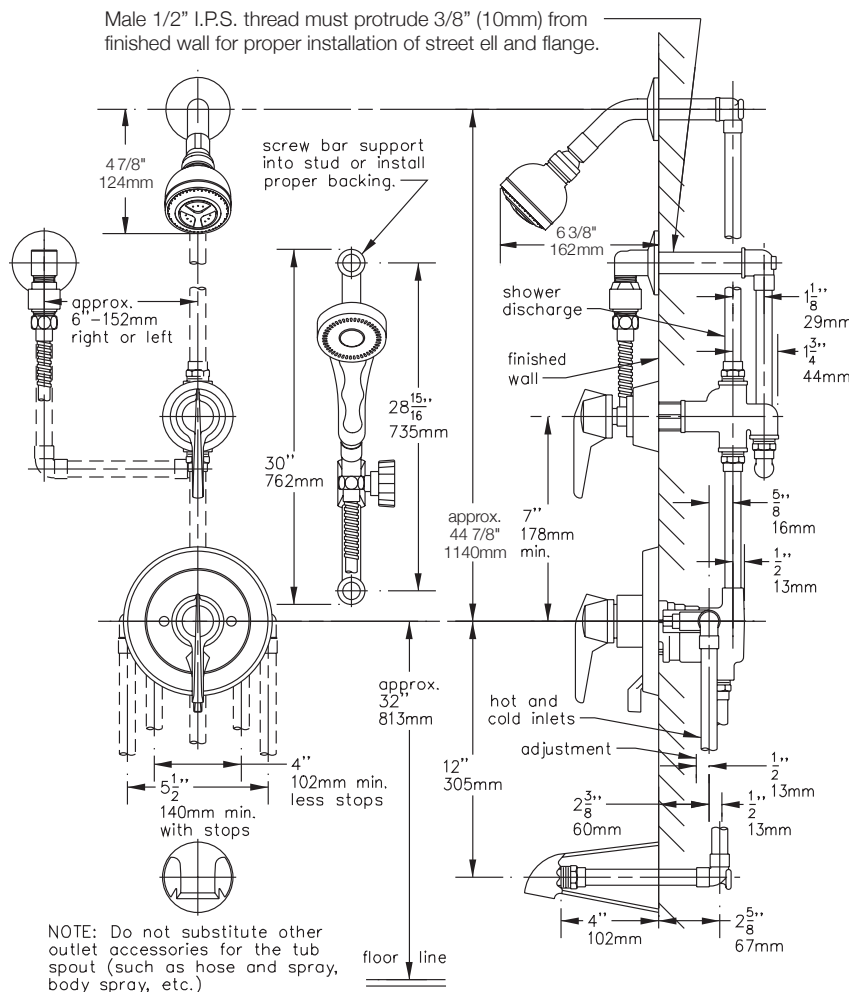
Temptrol Pressure-Balancing mixing valve with lever handle, combination integral diverter and volume control and adjustable stop screw to limit handle turn. Levertrol diverter with integral volume control. Clear-Flo shower head with arm and flange, tub spout, wall/hand shower with flexible 5' metal hose, in-line vacuum breaker, wall connection and flange, 30" slide bar for hand shower mounting.

Modifications:

- Suffix X:** Integral service stops—allows water shut-off at valve for service
- Suffix LP:** Loop style lever handle
- Suffix QD:** Quick-disconnect for hand spray units
- Suffix B48:** 48" adjusting bar in place of standard 30" bar



**SYMMONS PRODUCTS MEET
ANSI A112.18.1M, EPA '92
AND ALL KNOWN FLOW RATE
REQUIREMENTS.
Shower Heads and Hand Showers
2.5 GPM (9.5 L/min)**



Job/Location

.....
.....

Engineer

.....
.....

Contractor

.....
.....

This drawing to be used for rough-in installation only. All floor to center dimensions optional. Concealed piping and fittings not furnished by manufacturer. For ADA compliance (Americans with Disabilities Act) consult ADAAG or your state regulations for proper product choice and mounting locations. For complete installation, adjustment and service information see installation instructions.

Symmons Industries, Inc. ■ 31 Brooks Drive ■ Braintree, MA 02184
(800) 796-6667, (781) 848-2250 ■ Fax (800) 961-9621, (781) 843-3849
Website: www.symmons.com ■ Email: customerservice@symmons.com

