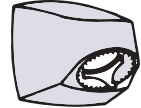


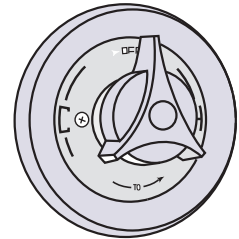
Location:

SYMMONS® Temptrol®



Shower System 96-1-150

Specification Submittal



Feature Highlights

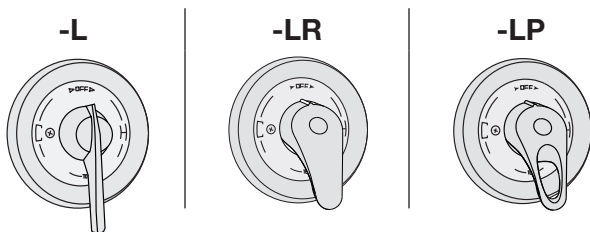
- Symmons shower system with Temptrol® pressure balancing mixing valve with adjustable stop screw to limit handle turn.
- Senior Institutional Showerhead #4-150 single mode with semi-adjustable spray
- Showerhead spray angle factory set at 30 degrees or optional 15 degrees angle
- Spray face is non-clogging and non-removable
- All mounting fasteners for the valve and showerhead are vandal resistant recessed hex socket type
- Flow rate 2.5 gpm (9.5 L/min)
Optional lower flow rate restrictor available
- Polished chrome finish (standard)

Model Numbers

- 96-1-150
Shower System with Symmons Temptrol® mixing valve
- 96-1-150-TRM
Trim only, valve must be ordered separately

Handle Options / Modifications

Append appropriate -suffix to model number



- L Single blade style lever handle
- LR lever handle
- LP Loop style lever handle

Finish Options / Modifications

Append appropriate -suffix to model number

- Polished chrome (standard finish)

Options / Modifications

Append appropriate -suffix to model number

- IPS 1/2 inch female IPS connections on Symmons Temptrol® mixing valve
- X Symmons Temptrol® mixing valve includes integral service stops to allow water shut-off for service,
- CHKS Integral check stops (requires mixing valve with integral service stops, -X)
- REV Reverse core for back-to-back installations
- 2.0 2.0 (7.6 L/min) flow rate restrictor
- 1.5 1.5 (5.7 L/min) flow rate restrictor
- B Chrome brass escutcheon valve
- 15 Showerhead spray angle factory set at 15 degrees
- A Anchor plate to simplify mounting of showerhead on ceramic tile
- BB Back plate and thru bolts for extra thick walls up to 6 inches.
Specify dimension for thicker Walls:

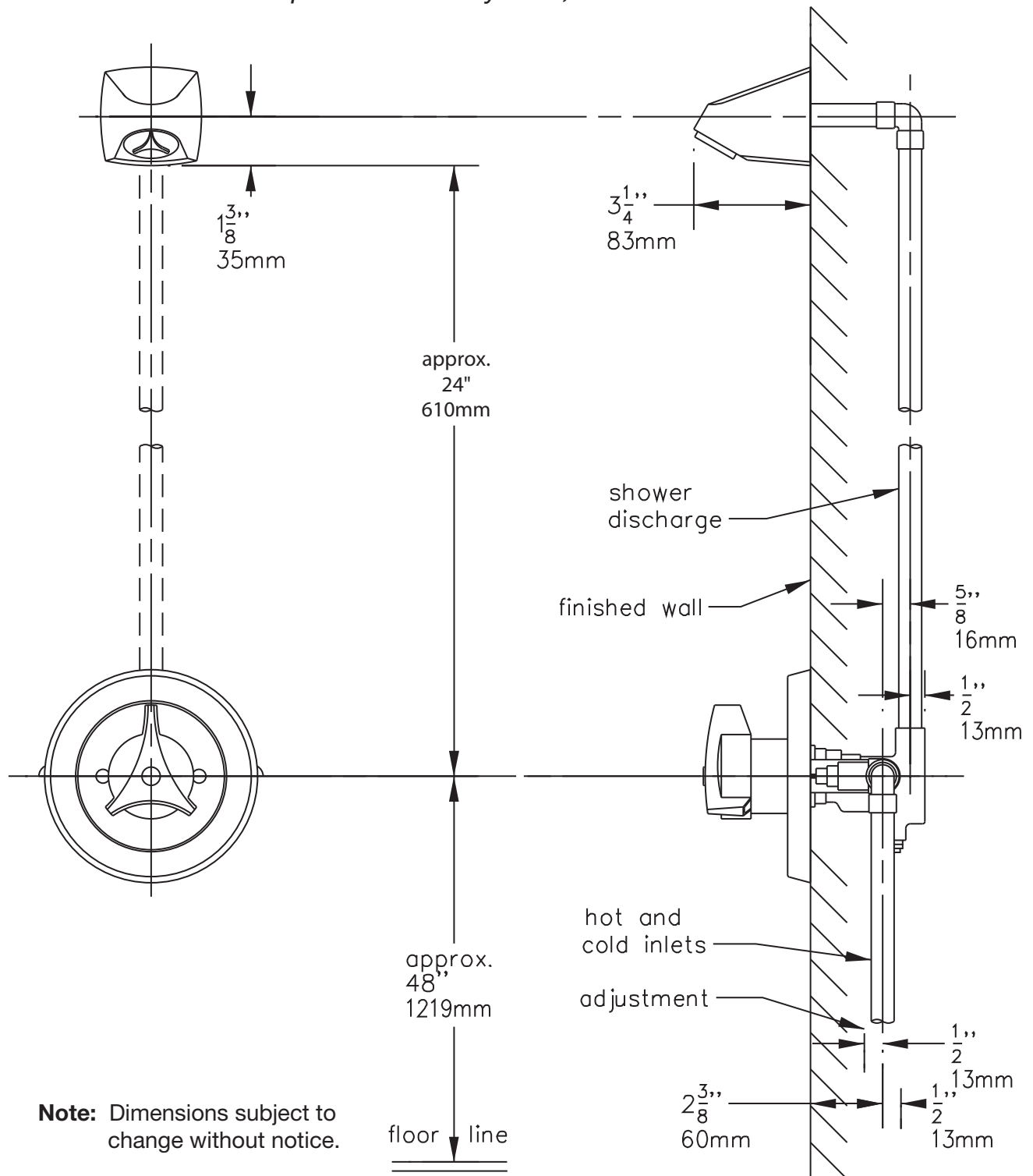
Standards / Certifications

ASME A112.18.1-2005/CSA B125.1-05

Warranty

- Limited Lifetime - to the original end purchaser in consumer installations.
- 5 years - for commercial installations

Dimensions *Temptrol Shower System, 1-96-150*



Symmons Industries, Inc. ■ 31 Brooks Drive ■ Braintree, MA 02184
 (800) 796-6667, (781) 848-2250 ■ Fax (800) 961-9621, (781) 664-1300
 Website: www.symmons.com ■ Email: customerservice@symmons.com

©2008, 2009, 2010 Symmons Industries, Inc. Printed in U.S.A. ■ 071510

SYMMONS[®]
 the smart choice™