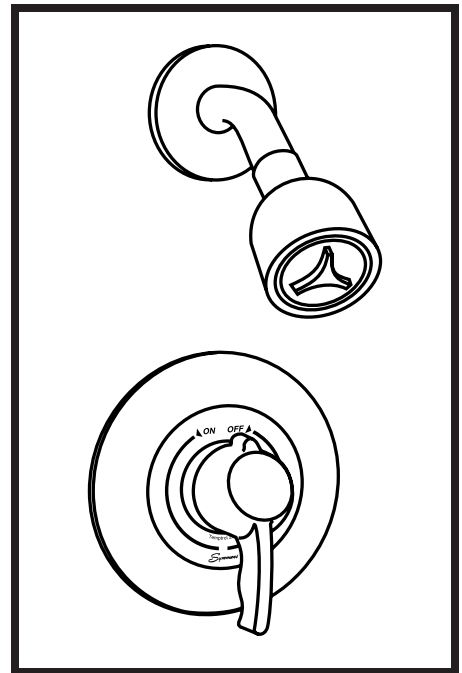


25-1 Temptrol 2000™ Shower System

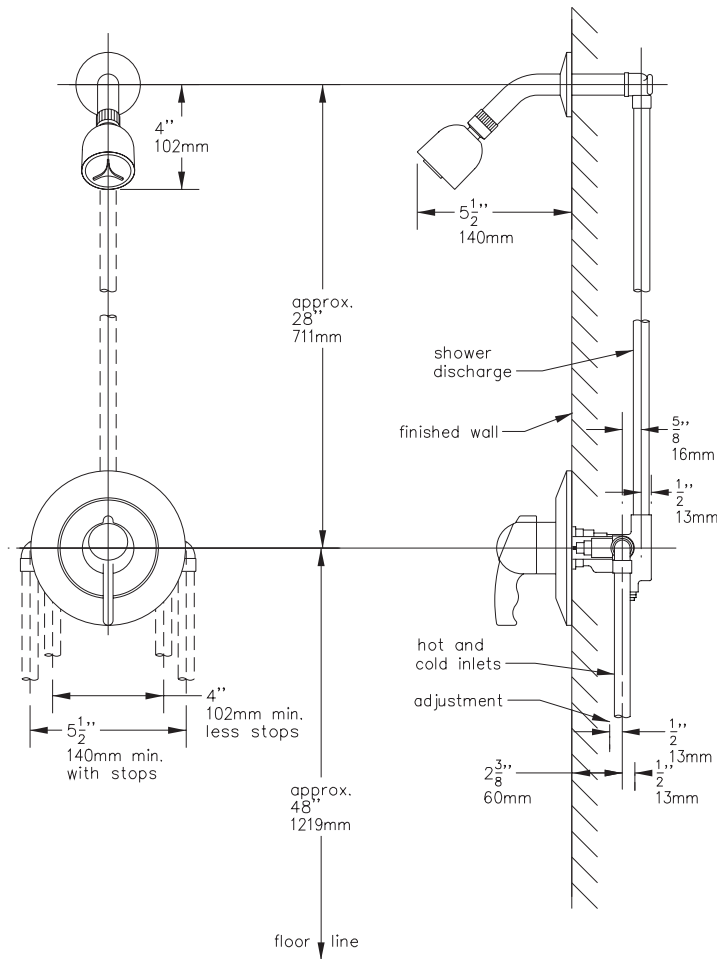
Temptrol 2000 Pressure Balancing mixing valve with adjustable stop screw to limit handle turn. Clear-Flo shower head with arm and flange.

Modifications:

- Suffix X:** Integral service stops—allows water shut-off at valve for service
- Suffix LP:** Loop style lever handle
- Suffix LR:** Lever handle
- Suffix BRS:** Radiance® polished brass finish
- Suffix STN:** Radiance® satin finish



**SYMMONS PRODUCTS MEET
ANSI A112.18.1M, EPA '92
AND ALL KNOWN FLOW RATE
REQUIREMENTS.
Shower Heads and Hand Showers
2.5 GPM (9.5 L/min)**



Job/Location

.....
.....

Engineer

.....
.....

Contractor

.....
.....

This drawing to be used for rough-in installation only. All floor to center dimensions optional. Concealed piping and fittings not furnished by manufacturer. For ADA compliance (Americans with Disabilities Act) consult ADAAG or your state regulations for proper product choice and mounting locations. For complete installation, adjustment and service information see installation instructions.

Symmons Industries, Inc. ■ 31 Brooks Drive ■ Braintree, MA 02184
(800) 796-6667, (781) 848-2250 ■ Fax (800) 961-9621, (781) 843-3849
Website: www.symmons.com ■ Email: customerservice@symmons.com

