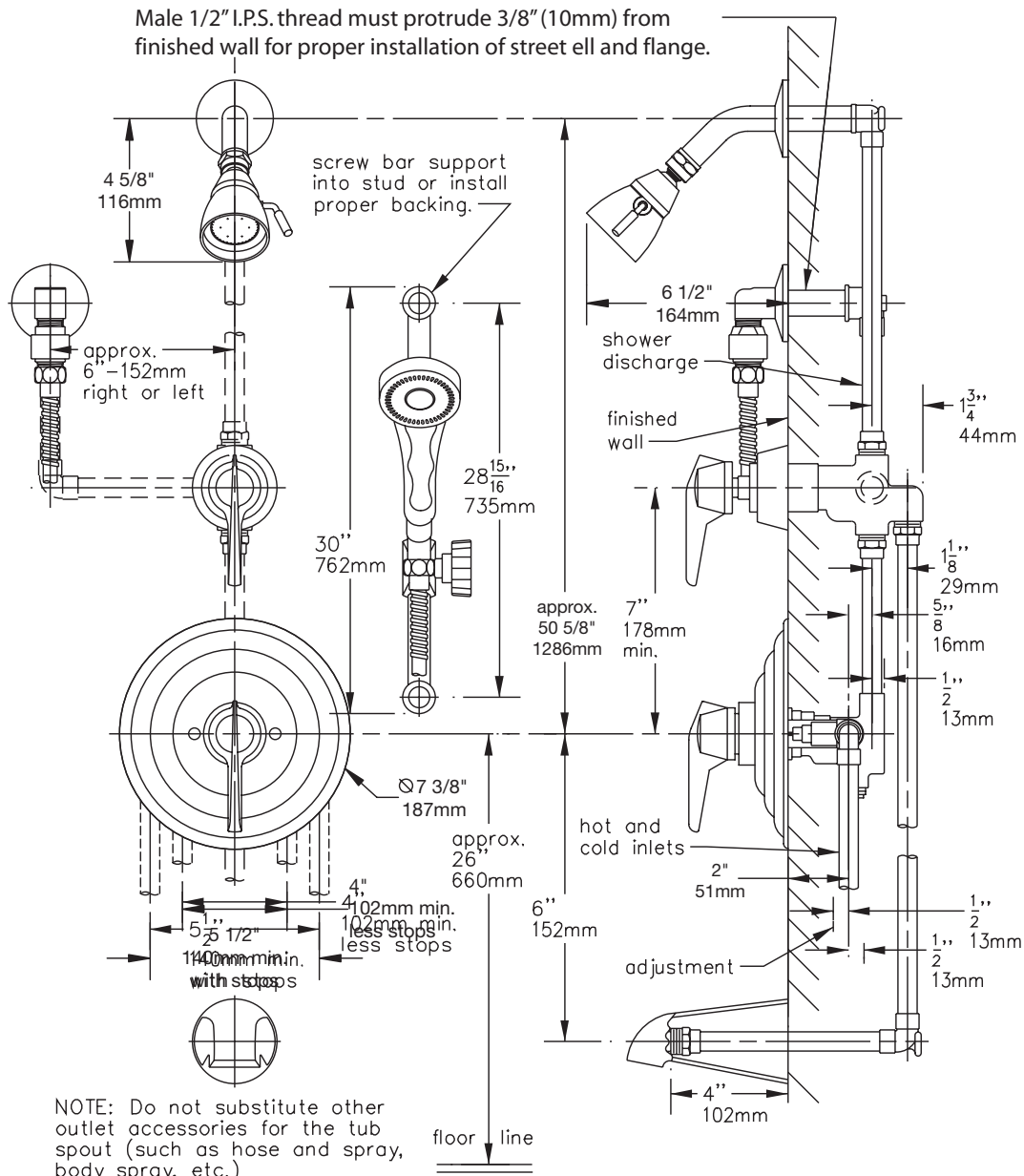


## C-96-600-B30-V-X

**Temptrol®** Commercial Series Pressure-Balancing mixing valve with lever handle, integral service stops and adjustable stop screw to limit handle turn. Levertrol diverter with integral volume control. Cast brass adjustable spray shower head with arm and flange. Tub spout, wall/hand shower with flexible metal hose, in-line vacuum breaker, wall connection and flange. 30" slide bar for hand shower mounting.

**Suffix IPS:** 1/2" female IPS connections



This drawing is to be used for rough-in installation only. All floor to center dimensions optional. Concealed piping and fittings not furnished by manufacturer. For ADA compliance (Americans with Disabilities Act) consult ADAAG or your state regulations for proper product choice and mounting locations. For complete installation, adjustment and service information see installation instructions.

Symmons Industries, Inc. ■ 31 Brooks Drive ■ Braintree, MA 02184  
 (800) 796-6667, (781) 848-2250 ■ Fax (800) 961-9621, (781) 843-3849  
 Website: [www.symmons.com](http://www.symmons.com) ■ Email: [customerservice@symmons.com](mailto:customerservice@symmons.com)

©2003, 2008 Symmons Industries, Inc. Printed in U.S.A. ■ 050708

**SYMMONS®**  
 the smart choice™