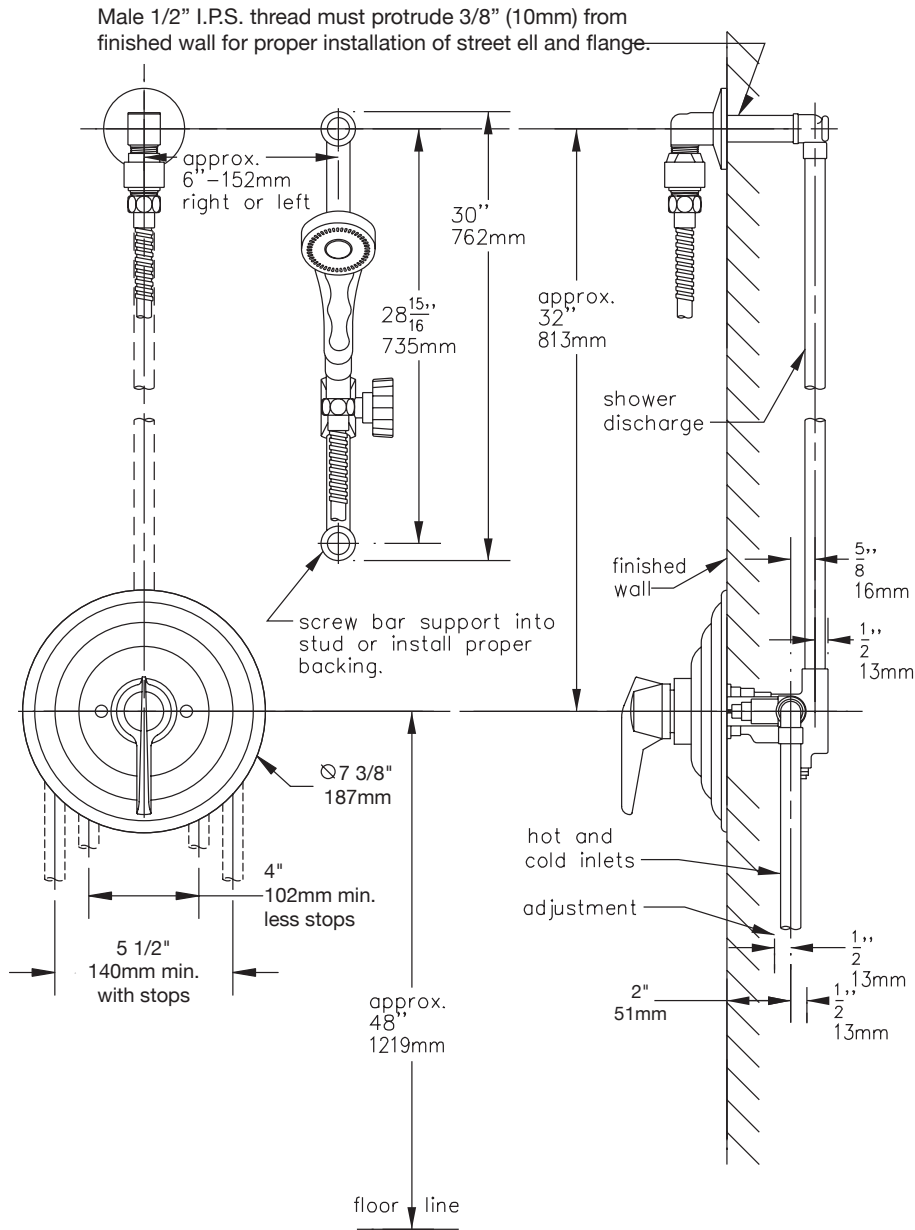


C-96-300-B30-V-X

Temptrol® Commercial Series Pressure-Balancing mixing valve with lever handle, integral service stops and adjustable stop screw to limit handle turn. Wall/hand shower with flexible metal hose, in-line vacuum breaker, wall connection and flange. 30" slide bar for hand shower mounting.

Suffix IPS: 1/2" female IPS connections



This drawing to be used for rough-in installation only. All floor to center dimensions optional. Concealed piping and fittings not furnished by manufacturer. **Dimensions are for ADA compliance (Americans with Disabilities Act)** consult ADAAG or your state regulations for proper product choice and mounting locations. For complete installation, adjustment and service information see installation instructions.

Symmons Industries, Inc. ■ 31 Brooks Drive ■ Braintree, MA 02184
 (800) 796-6667, (781) 848-2250 ■ Fax (800) 961-9621, (781) 843-3849
 Website: www.symmons.com ■ Email: customerservice@symmons.com

