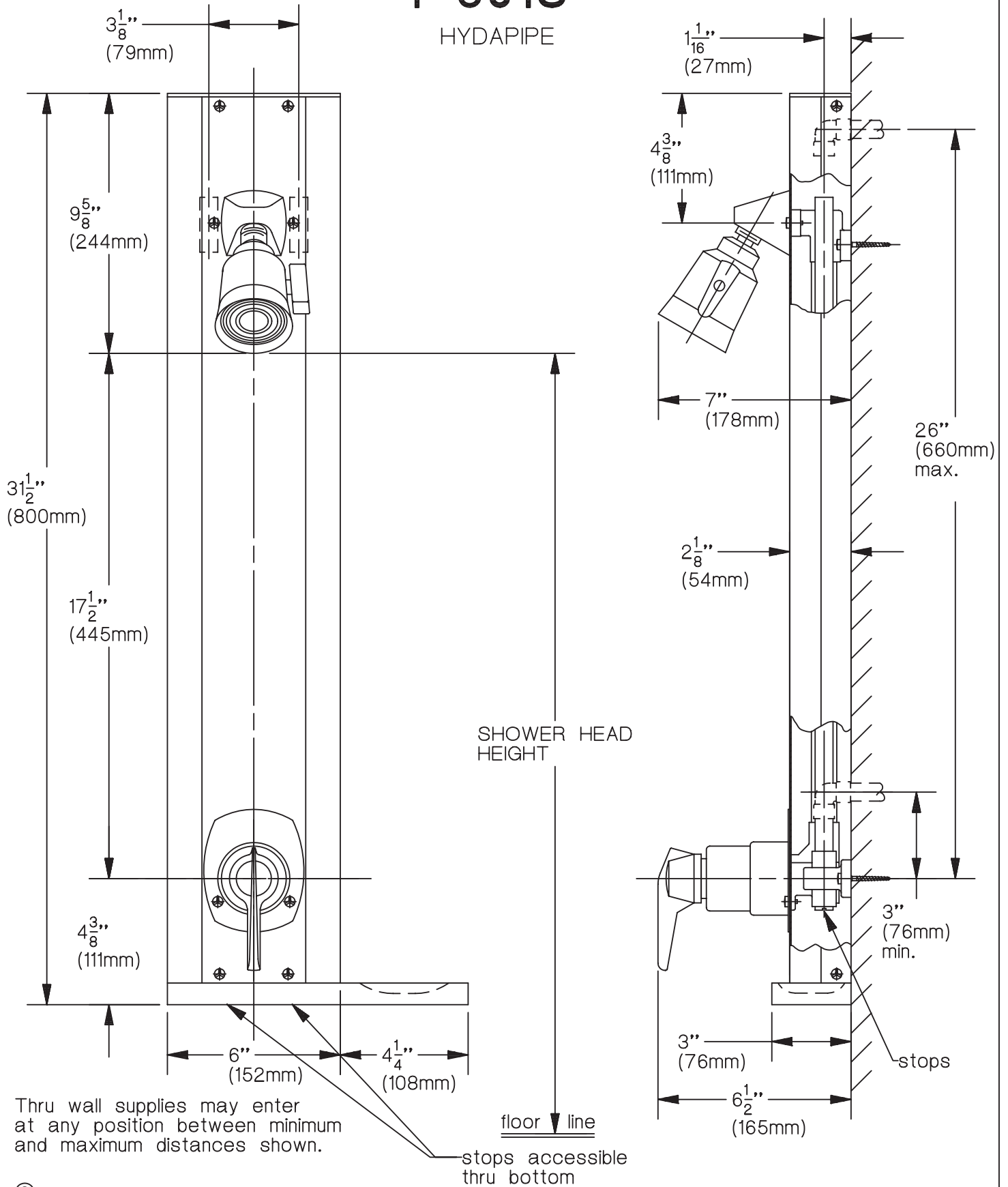


1-801S

HYDAPIPE



Thru wall supplies may enter at any position between minimum and maximum distances shown.

© 1996-1998 Symmons Industries
 31 Brooks Drive, Braintree, MA 02184-3804
 Tel: 1-800-SYMMONS, (781) 848-2250
 Fax: 1-800-961-9621, (781) 843-3849
 Website: www.symmons.com

