

# SPEAKMAN COMPANY

## **SE-926 Installation, Maintenance & Operation Instructions**

### **EYESAVER® LABORATORY DRENCH HOSE**

#### **DESCRIPTION**

Laboratory drench hose supplied with spray head with flip-off dust cover, and self-closing valve with automatic stay-open feature, activated by squeeze handle.

#### **SPECIFICATIONS**

SPRAY HEAD: Yellow ABS Plastic Spray Outlet, Sprayface, and Dust Cover.

VALVE: 3/8" NPT Female Brass, Chrome-Plated. Self-Closing with Automatic Stay-Open Feature.

ACTIVATOR: Brass, Chrome-Plated Squeeze Handle.

HOSE: 6' Reinforced, 750 PSI Burst Pressure, Integral Hanger for Valve.

INLET: 3/8" NPTM with Swivel Connection.

SHIPPING WEIGHT: 3 lb.

EMERGENCY SIGN: 7-7/8" x 7-7/8" Plastic Wall Sign.

#### **OPTIONS**

◇ SSHSE (Stainless Steel Hose)	◇ TEW (Twin Eyewash)
◇ SGN4 (Eye Wash Floor Sign)	◇ VB (Vacuum Breaker)

#### **INSTALLATION**

This unit is completely assembled and tested before shipment. Connect a water supply to the unit (use pipe sealant on connection) that is an uninterrupted source of potable water. Failure to use potable water can result in emergency units producing impure or contaminated water causing possible further injury.

#### **OPERATION**

This drench hose is activated by squeezing the valve handle. Because of the automatic stay-open feature, the valve will open and remain on upon activation. A non-aerated flow of water will discharge from the outlet, and will continue to flow until the handle is squeezed, the stay-open plunger is pulled outward, and the handle is released.

#### **TESTING PROGRAM**

The American National Standards Institute (ANSI) states that all safety emergency equipment shall be activated on a weekly basis to flush the line and verify proper operation. Speakman Company furnishes a testing record tag (91-0635) with each unit. On this tag the date of inspection and the inspectors initials should be noted.

#### **MAINTENANCE**

Should you need parts to repair this unit, please reference the parts list below for correct part numbers. Before any maintenance is done ***be sure to shut the water supply off.***

**WARNING:** Use only genuine Speakman parts when repairing or replacing components. To order parts call 1-800-537-2107.

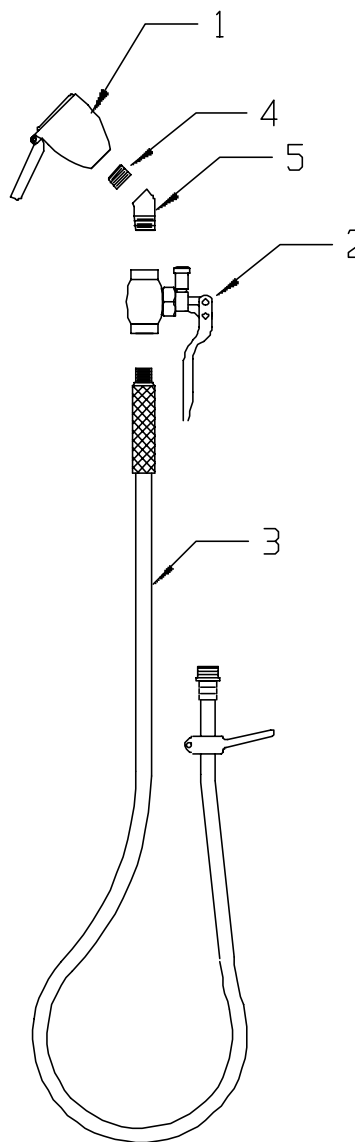
**SE-926 REPLACEMENT/REPAIR PARTS**

<u>ITEM</u>	<u>PART/GROUP #</u>	<u>DESCRIPTION</u>
1	RPG38-0380	Spray Head Assy.
2	G20-1742-PC	3/8" Automatic Stay-Open Valve
3	G63-0045	6' Reinforced Hose Assy. with Integral Valve Hanger
4	31-0356-RCP-PUR	3/8" NPT CL Nipple
5	25-0204-PC	3/8" M x 3/8" F, 20° Elbow

**FLOW DATA**

DRENCH HOSE:

FLOW PRESSURE	PSI (BAR)	30 (2.07)
FLOW RATE	GPM (LPM)	1.65 (6.3)



NOTE: This unit should be connected to an uninterrupted source of potable water, with a minimum flowing pressure of 30 PSI and a maximum static pressure of 125 PSI.

Note: All units meet existing ANSI Z358.1 Standards and OSHA Rules. Product improvements may cause specification and dimensional changes without notice.

**SPEAKMAN®**

PO Box 191 Wilmington, DE 19899 Phone: 800-537-2107 Fax: 800-977-2747  
Visit us on the web at [www.speakmancompany.com](http://www.speakmancompany.com)